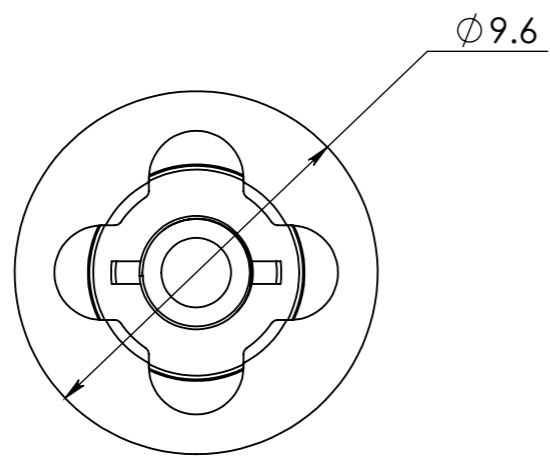
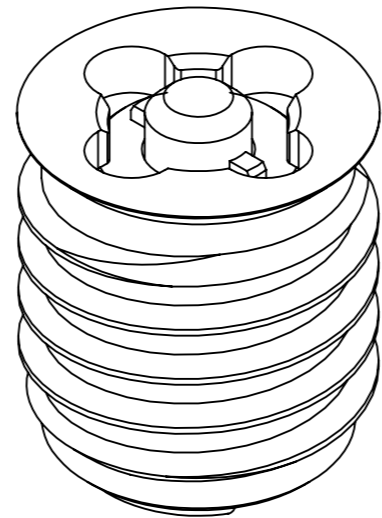
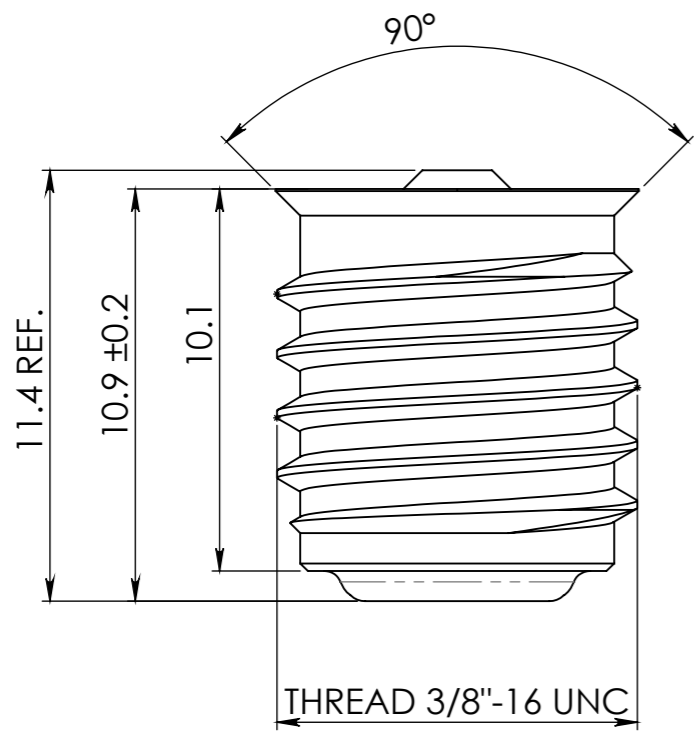


P:\Projects\Projects in R&D Status\InTal Tech\IN06- Springs & Fasteners\IN06-DS-01-B 09/02/2015

1	2	3	4	5	6	7	8
ZONE	REV.	DESCRIPTION		DATE	APPROVED		
	B	RELEASE		09/02/2015	GREGORY		



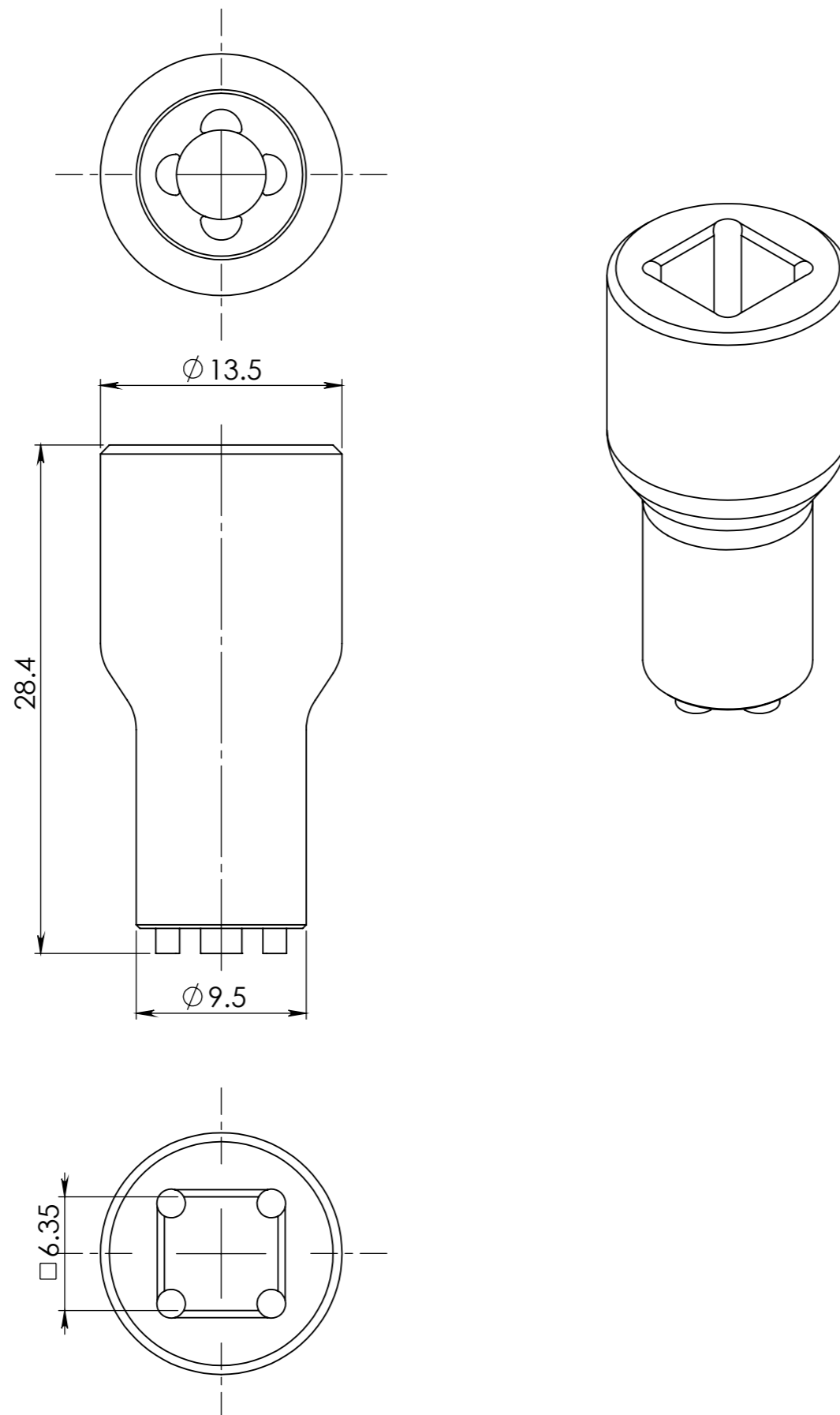
NOTES:

1. SUBSTITUTES LIVE LOCK CA2000 SERIES LIVE SERT CA2058.
2. MATED WITH LIVE LOCK CA2000 SERIES.
3. MATERIAL:
HOUSING - 300 SERIES CRES.
SCREW - A286 CRES.
4. HEAT TREAT:
SCREW - PER MIL-H-6875.
5. FINISH:
HOUSING - PASSIVATED PER QQ-P-35.
SCREW - DRY FILM LUBED.
6. MOUNTING: TORQUE 80 Lbs*Inch & **LOCTITE 242**.

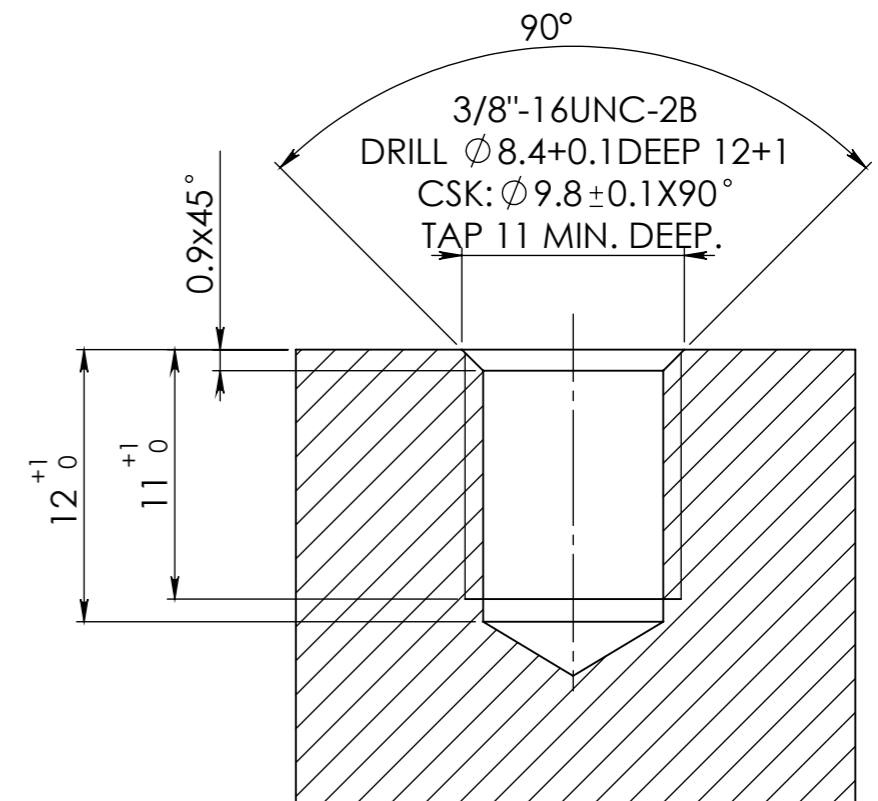
TOLERANCES UNLESS OTHERWISE STATED				MATERIAL:	FINISH:				
LINEAR ±	HOLES DIA +								
ANGULAR ±	MASH. SURF'S								
	NAME	SIGNATURE	DATE	TITLE					
DRAWN	ELENA			INSERT 2000 SERIES BASE DATA SHEET					
DES'N'D	GREGORY								
CHK'D				PROJECT					
APP'V'D				PART. NO. IN06-SA-01					
THIS DOCUMENT CONTAINS PROPRIETARY INFORMATION AND SHALL NOT BE PUBLISHED OR USED FOR ANY PURPOSE WITHOUT THE PRIOR WRITTEN PERMISSION OF INTALTECH Ltd. DO NOT MANUALLY UPDATE. DO NOT SCALE DRAWING.				Engineering Development & Consulting		DWG NO. IN06-DS-01-B		REV. B	SHEET 1/2
						SIZE A3	FIRST ANGLE PROJECTION	DIM UNIT MM	SCALE 5:1

P:\Projects\Projects in R&D Status\InTal Tech\IN06- Springs & Fasteners\IN06-DS-01-B 09/02/2015

INSTALLATION TOOL



PREPARATION HOLE FOR INSERT



NOTES:

1. INSTALLATION TOOL P/N : IN13-PF-07 SUPPLIED SEPARATELY.

<p>THIS DOCUMENT CONTAINS PROPRIETARY INFORMATION AND SHALL NOT BE PUBLISHED OR USED FOR ANY PURPOSE WITHOUT THE PRIOR WRITTEN PERMISSION OF A&J. DO NOT MANUALLY UPDATE. DO NOT SCALE DRAWING.</p>	<p>Engineering Development & Consulting</p>	PART. NO. IN06-DS-01		VERSION	
		DWG. NO. IN06-DS-01-B		REV. B	SHEET 2/2
		SIZE A3	FIRST ANGLE PROJECTION	DIM UNIT MM	SCALE 3:1