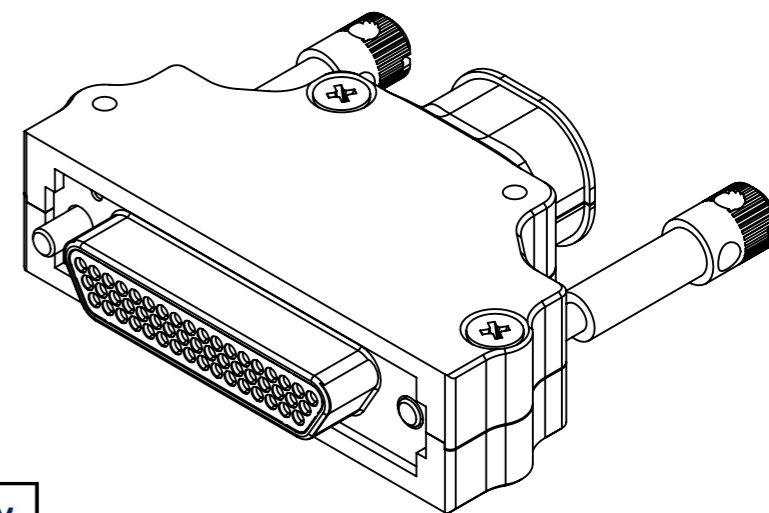
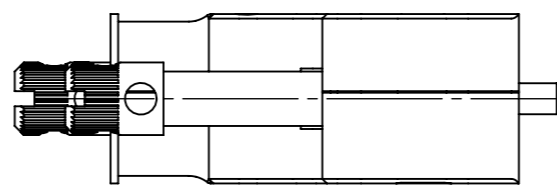
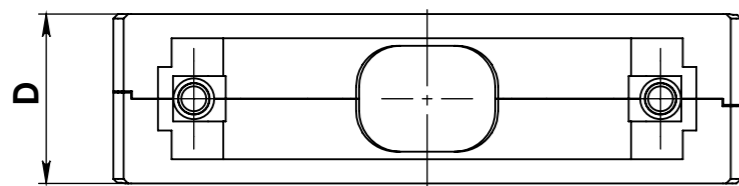


ZONE	REV.	DESCRIPTION	DATE	APPROVED
	A	PROTOTYPE	22/02/2021	GREGORY
	B	UPDATE P/N LEGEND	06/07/2021	GREGORY



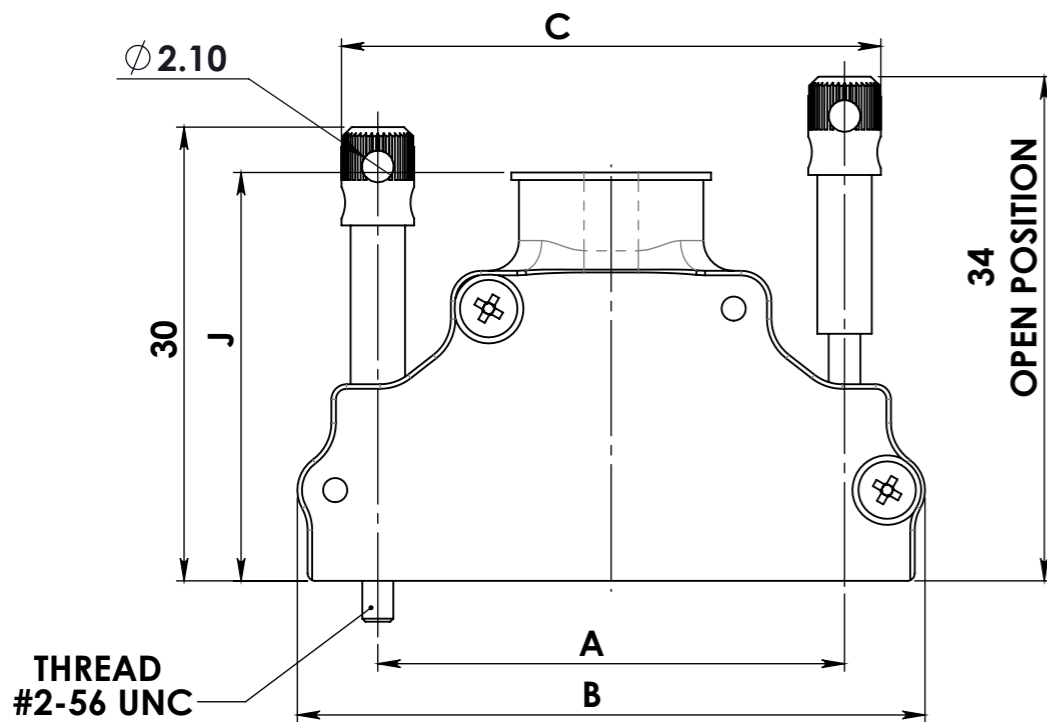
VIEW WITH CONNECTOR

443-XX-Y

Label	Family
443	Low Profile Micro-D
494	Micro-D
496	D-Sub
465	High Density D-Sub
495	Nano-D

Size	
Code	Pins
09	9
15	15
21	21
25	25
31	31
37	37
51	51

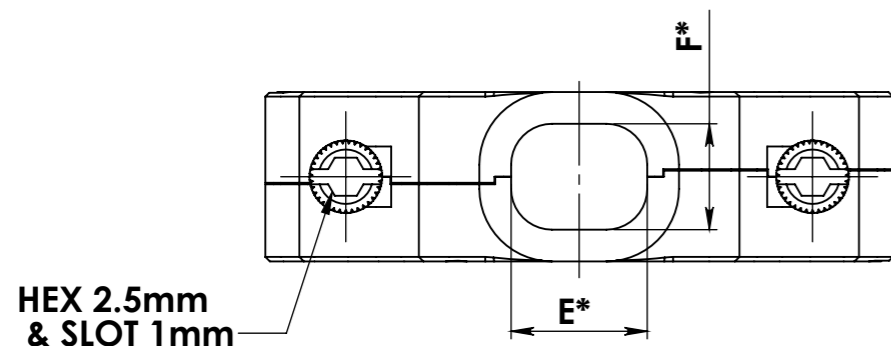
Cable Entry Code
A
B
C
D
E
F
G



34
OPEN POSITION

NOTE:

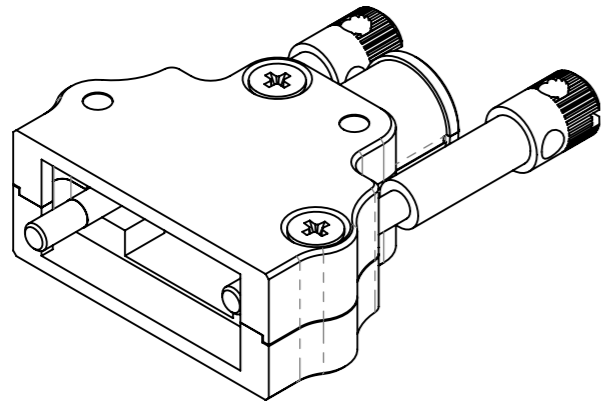
- FOR MICRO D-TYPE CONNECTOR P/N FIT, PLEASE CONTACT support@intaltech.com.
- CUSTOM SIZES AND SHAPES AVAILABLE BY CUSTOMER REQUEST.
- MATERIAL: OUTER SHELL-ALUMINUM, COATING-CHROMAT PASSIVATION.
- FLAT HEAD SCREW - #2-56 STAINLESS STEEL.
- FASTENING JACK SCREW - #2-56 STAINLESS STEEL.



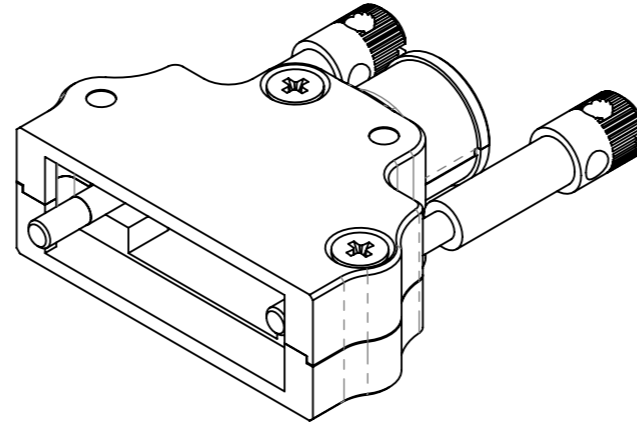
P/N	CONNECTOR	A	B	C	D	E	F	J
494-09-A	9 PIN	14.4	25.9	19.2	10.2	4.5	4.1	25.9
494-15-B	15 PIN	18.16	29.7	23	10.2	5.7	5.3	25.9
494-21-C	21 PIN	22	33.5	26.8	10.2	7	6.4	25.9
494-25-D	25 PIN	24.51	36.1	29.3	10.2	8.2	6.4	25.9
494-31-E	31 PIN	28.4	39.9	33.2	10.2	9.2	6.4	25.9
494-37-F	37 PIN	32.13	43.7	37	10.2	10.2	6.4	25.9
494-51-G	51 PIN	30.86	41.5	35.7	11.2	9	7	27

TOLERANCES UNLESS OTHERWISE STATED				MATERIAL:	FINISH:	MASS: 16.39		
LINEAR ±	HOLES DIA +							
ANGULAR ±	MASH. SURF'S							
NAME	SIGNATURE	DATE	TITLE					
DRAWN Elena			MICRO D-TYPE BACKSHELL KIT DATA SHEET					
DES'N'D Gregory			PROJECT					
CHK'D			PART. NO. SEE TABLE					
APP'V'D			VERSION					
THIS DOCUMENT CONTAINS PROPRIETARY INFORMATION AND SHALL NOT BE PUBLISHED OR USED FOR ANY PURPOSE WITHOUT THE PRIOR WRITTEN PERMISSION OF INTALTECH Ltd. DO NOT MANUALLY UPDATE. DO NOT SCALE DRAWING.			Engineering Development & Consulting		DWG NO. IN34-DS-14-B		REV. B	SHEET 1/2
					SIZE A3	FIRST ANGLE PROJECTION	DIM UNIT	SCALE 2:1

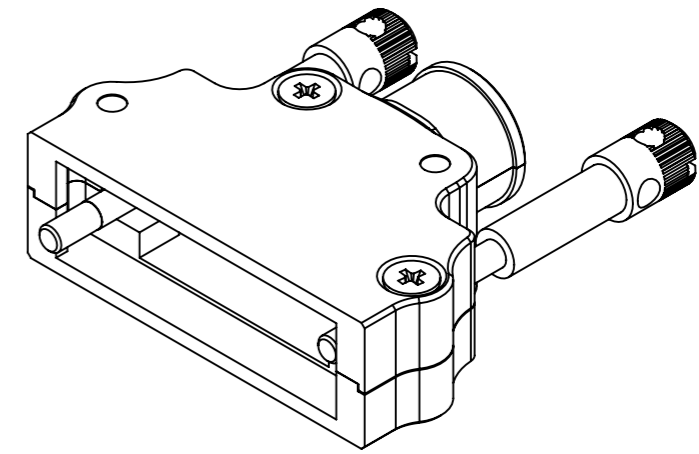
P:\Projects\Projects in R&D Status\InTal Tech\IN34 Backshell (CONTIN.)\0 IN34\IN34-DS-14-B 06/07/2021



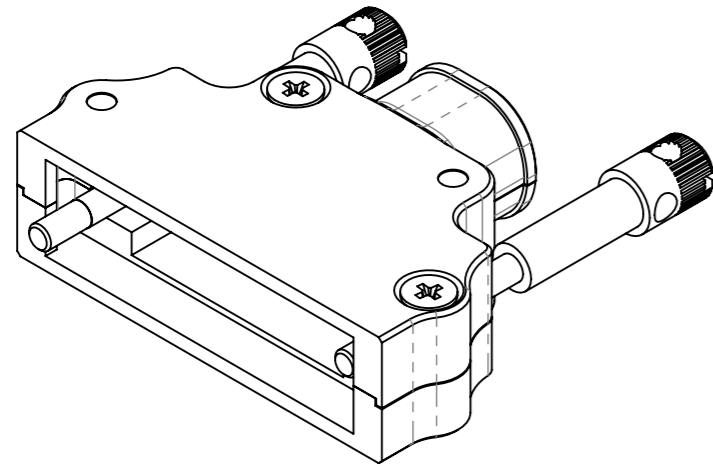
494-09-A (9 PIN)



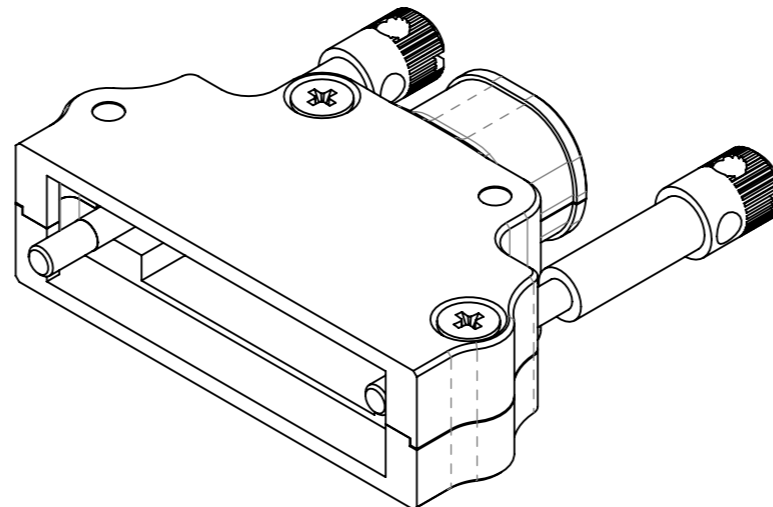
494-15-B (15 PIN)



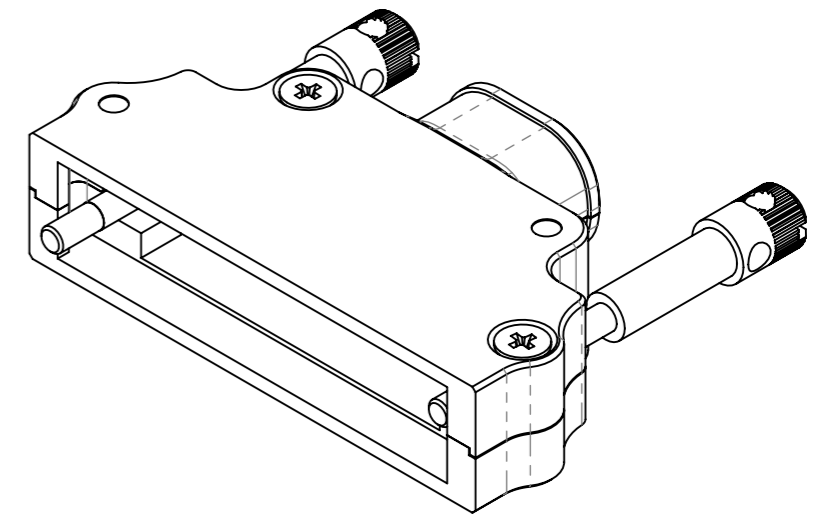
494-21-C (21 PIN)



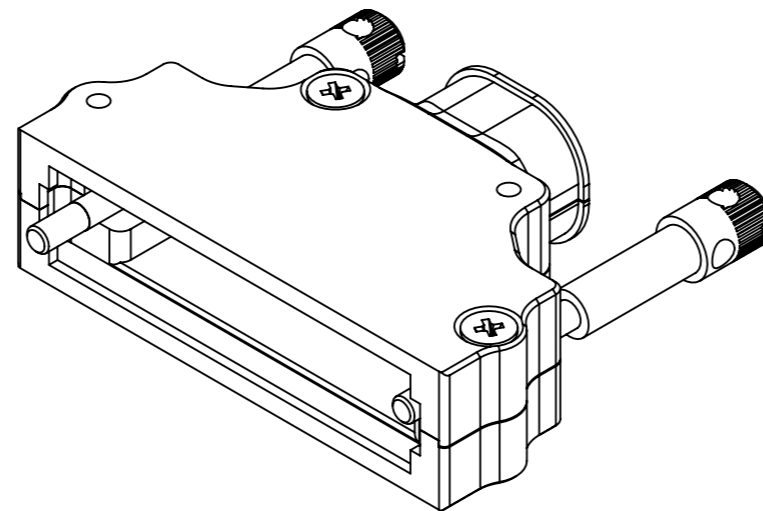
494-25-D (25 PIN)



494-31-E (31 PIN)



494-37-F (37 PIN)



494-51-G (51 PIN)

<p>THIS DOCUMENT CONTAINS PROPRIETARY INFORMATION AND SHALL NOT BE PUBLISHED OR USED FOR ANY PURPOSE WITHOUT THE PRIOR WRITTEN PERMISSION OF A&J. DO NOT MANUALLY UPDATE. DO NOT SCALE DRAWING.</p>	<p>Engineering Development & Consulting</p>	PART. NO. SEE TABLE		VERSION	
		DWG NO. IN34-DS-14-B		REV. B	SHEET 2/2
		SIZE A3	FIRST ANGLE PROJECTION	DIM UNIT MM	SCALE 2:1

CONTACT INFO: Tel: +972(0)8-9400002; Fax:972(0)3-7256610 E-mail: support@intaltech.com