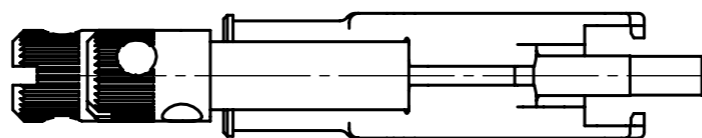
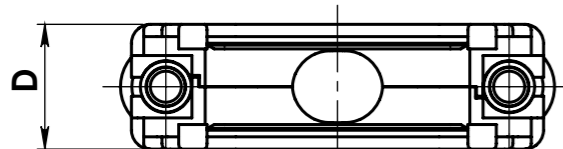


ZONE	REV.	DESCRIPTION	DATE	APPROVED
	D	PRODUCTION	20/05/2021	GREGORY

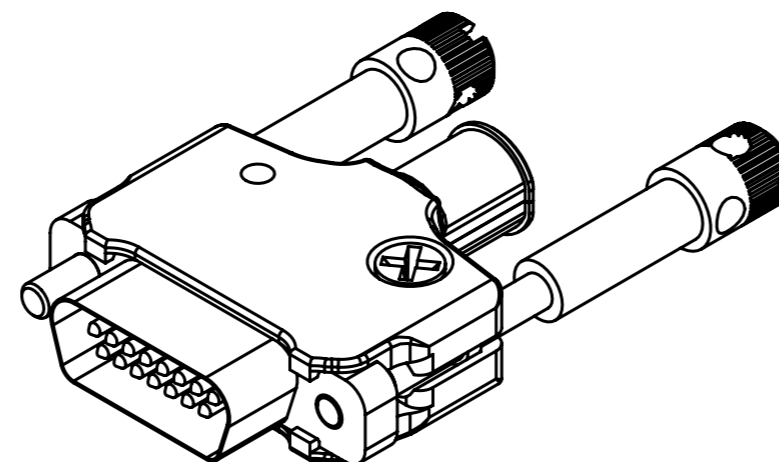
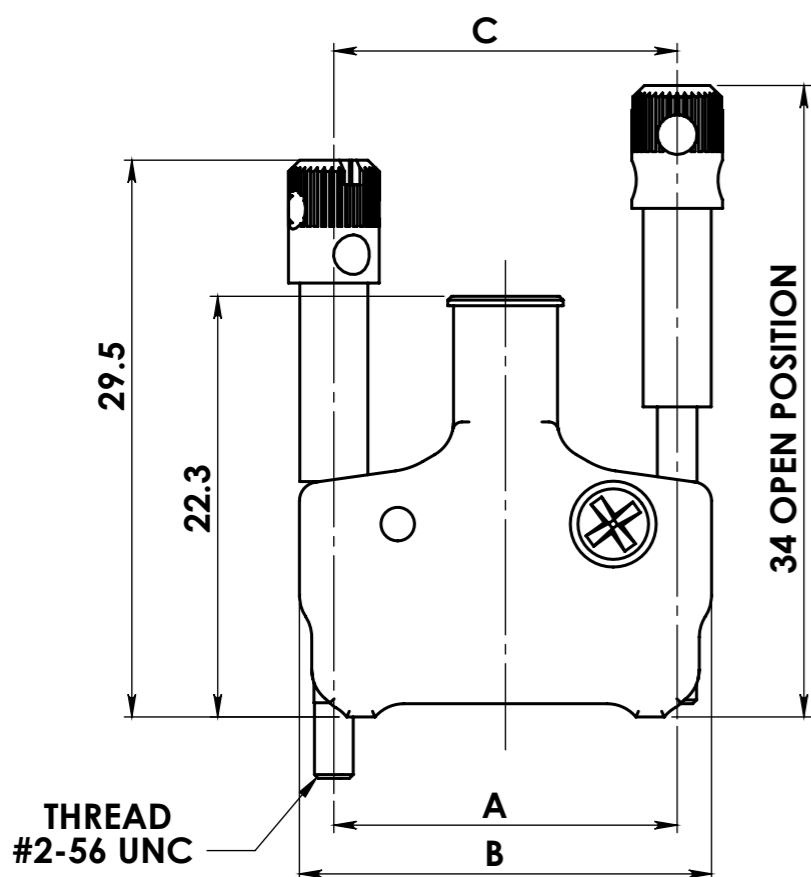


443-XX-Y

Label	Family
443	Low Profile Micro-D
494	Micro-D
496	D-Sub
465	High Density D-Sub
495	Nano-D

Size	
Code	Pins
09	9
15	15
21	21
25	25
31	31
37	37
51	51

Cable Entry Code
A
B
C
D
E
F
G



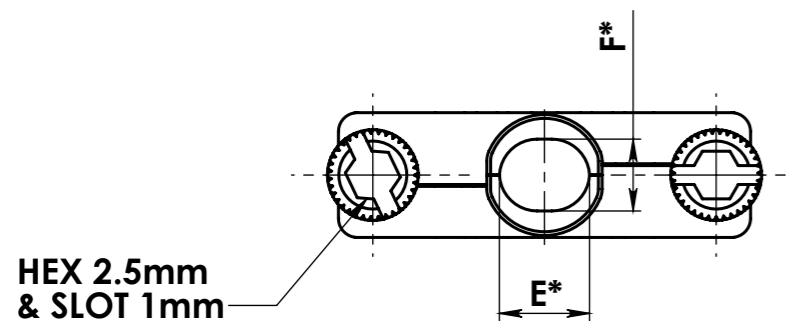
VIEW WITH CONNECTOR

NOTE:

- FOR P/N OF MICRO D-TYPE CONNECTOR PLEASE CONTACT support@intaltech.com
- * CUSTOM SIZES AND SHAPES AVAILABLE BY CUSTOMER REQUEST.

MATERIAL:

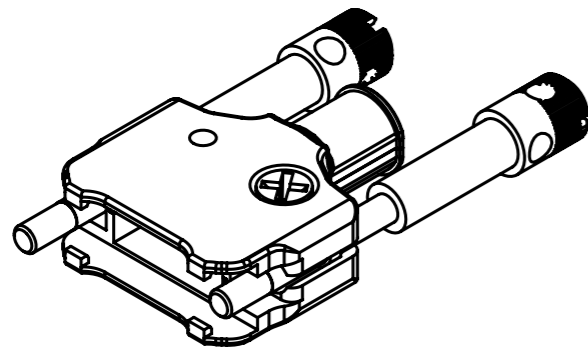
- OUTER SHELL-ALUMINUM, COATING-CHROMAT PASSIVATION.
- FLAT HEAD SCREW - #2-56 STAINLESS STEEL
- FASTENING JACK SCREW - #2-56 STAINLESS STEEL



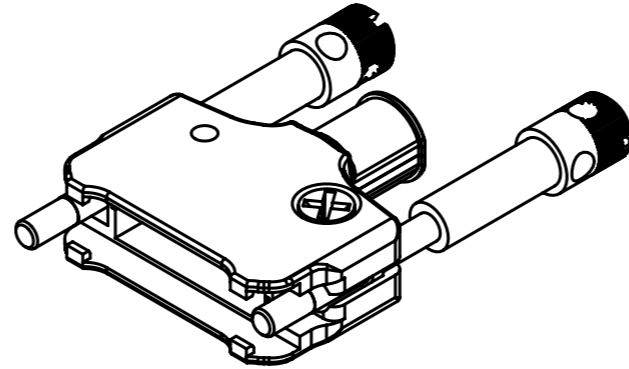
P/N	CONNECTOR	A	B	C	D	E	F
443-09-A	9 PIN	14.35	18	19.2	6.6	4.8	3.8
443-15-A	15 PIN	18.16	21.8	23	6.6	4.8	3.8
443-21-B	21 PIN	21.97	25.6	26.8	6.6	8.5	3.8
443-25-C	25 PIN	24.51	28.1	29.3	6.6	9.9	3.8
443-31-D	31 PIN	28.32	31.9	33.1	6.6	12.1	3.8
443-37-E	37 PIN	32.13	35.7	36.9	6.6	14.2	3.8
443-51-F	51 PIN	30.86	34.5	35.7	7.7	11.2	4.8

TOLERANCES UNLESS OTHERWISE STATED				MATERIAL:	FINISH:	MASS:	
LINEAR ±	HOLES DIA +		SEE NOTE	SEE NOTE			
ANGULAR ±	MASH. SURF'S						
	NAME	SIGNATURE	DATE	TITLE			
DRAWN	GREGORY	E.L.		MICRO D-TYPE LOW PROFILE BACKSHELL KIT DATA SHEET			
DES'N'D	GREGORY	G.L.		PROJECT			
CHK'D		I.K.		PART. NO. SEE TABLE			
APP'V'D		I.K.		VERSION			
THIS DOCUMENT CONTAINS PROPRIETARY INFORMATION AND SHALL NOT BE PUBLISHED OR USED FOR ANY PURPOSE WITHOUT THE PRIOR WRITTEN PERMISSION OF INTALTECH Ltd. DO NOT MANUALLY UPDATE. DO NOT SCALE DRAWING.				DWG NO.		REV.	SHEET
				IN09-DS-32-D		D	1/2
				SIZE	FIRST ANGLE PROJECTION	DIM UNIT	SCALE
A3		MM	2.5:1				

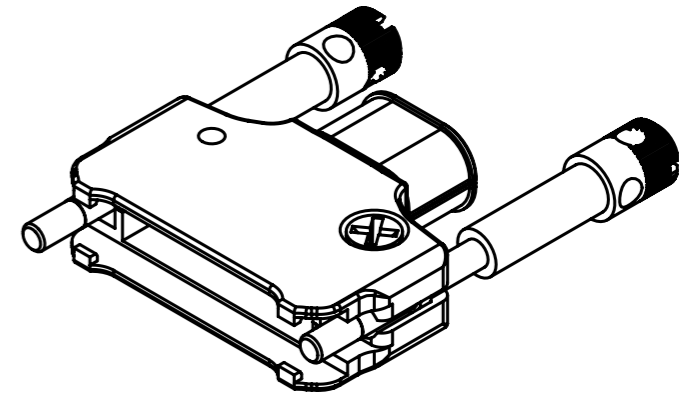
P:\Projects\Projects in R&D Status\InTal Tech\IN09 Backshell for Micro D-Type\IN09-DS-32-D 21/06/2021



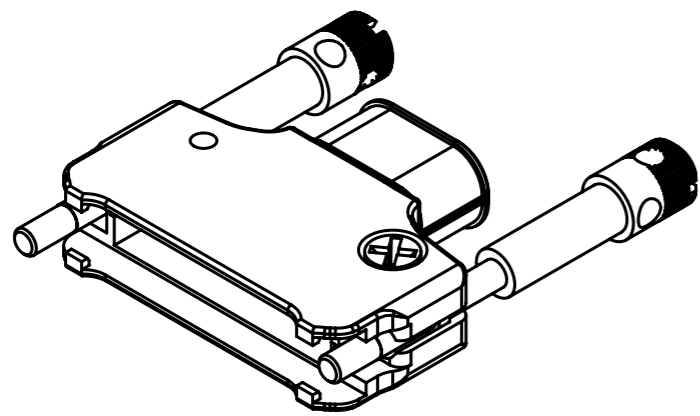
443-09-A (9 PIN)



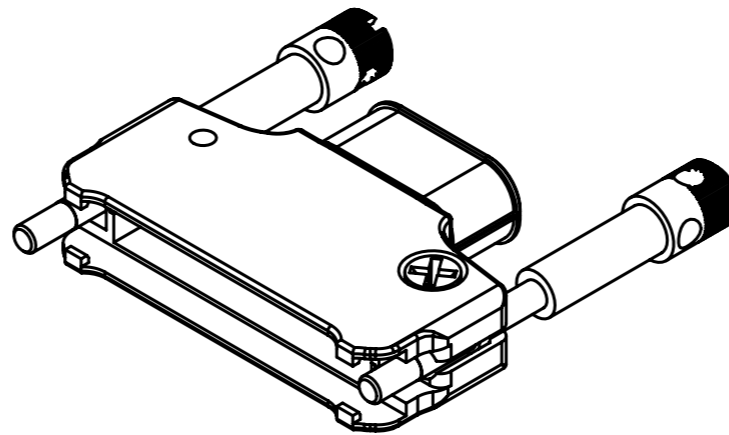
443-15-A (15 PIN)



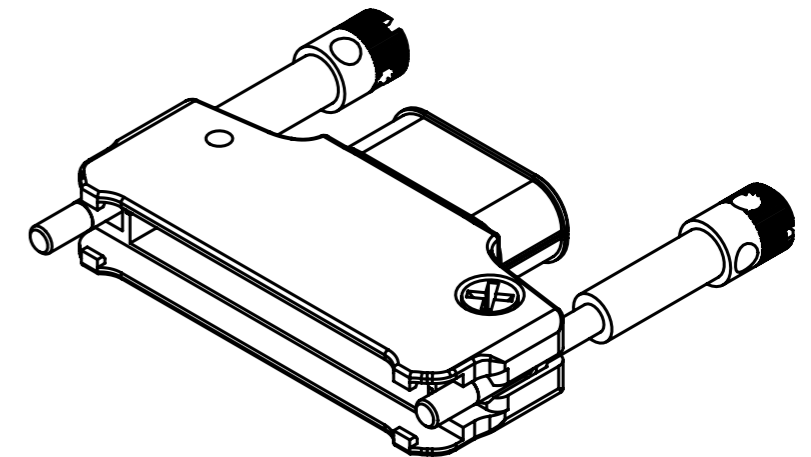
443-21-B (21 PIN)



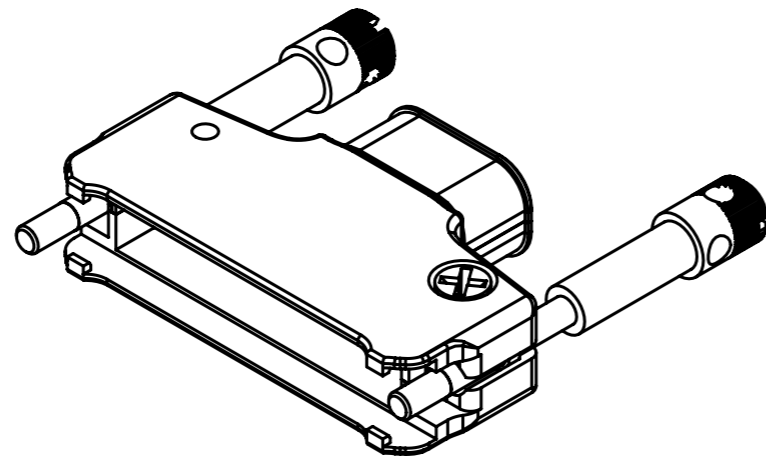
443-25-C (25 PIN)




443-31-D (31 PIN)



443-37-E (37 PIN)



443-51-F (51 PIN)

THIS DOCUMENT CONTAINS PROPRIETARY INFORMATION AND SHALL NOT BE PUBLISHED OR USED FOR ANY PURPOSE WITHOUT THE PRIOR WRITTEN PERMISSION OF A&J. DO NOT MANUALLY UPDATE. DO NOT SCALE DRAWING.	 Engineering Development & Consulting	PART. NO. IN09-KT-32		VERSION	
		DWG. NO. IN09-DS-32-D		REV. D	SHEET 2/2
		SIZE A3	FIRST ANGLE PROJECTION	DIM UNIT MM	SCALE 2:1

CONTACT INFO: Tel: +972(0)8-9400002; Fax:972(0)3-7256610 ; E-mail: support@infalttech.com