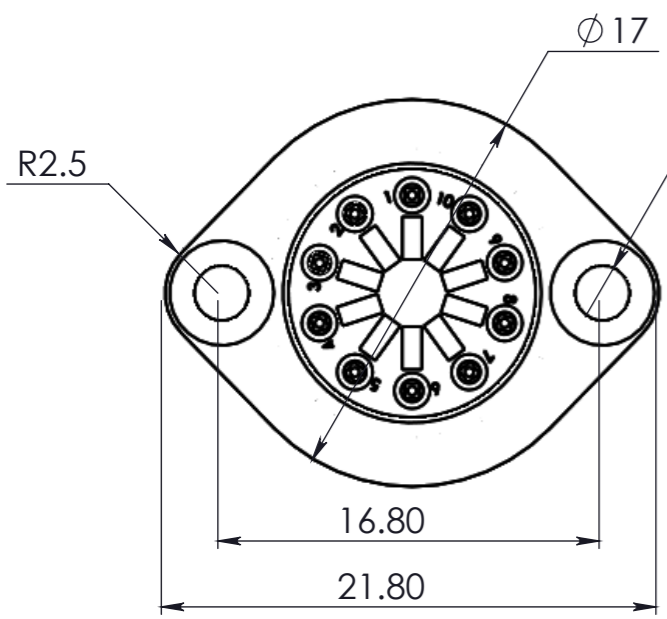
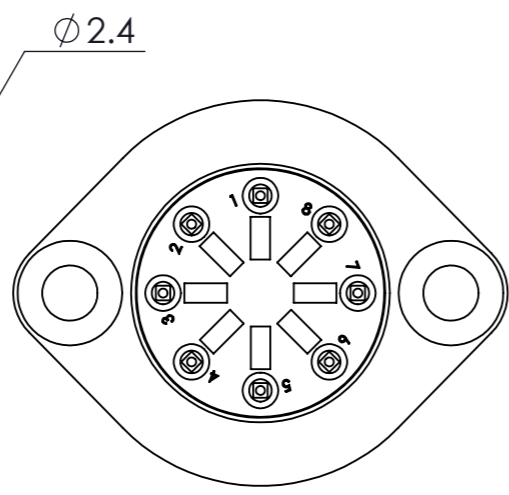


P:\Projects\Projects in R&D Status\InTal Tech\IN08 VARIOUS\0 IN08\IN08-DS-06-A 12/01/2014

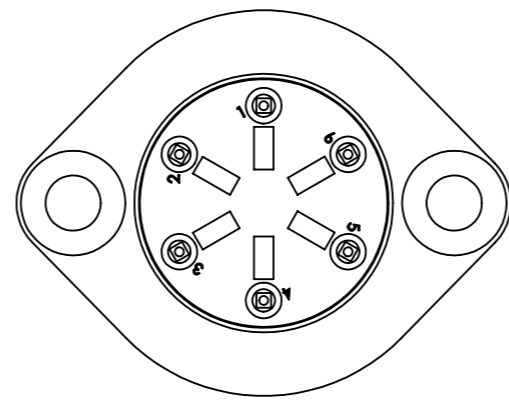
ZONE	REV.	DESCRIPTION	DATE	APPROVED
	A	PRERELEASE	12/01/2014	GREGORY



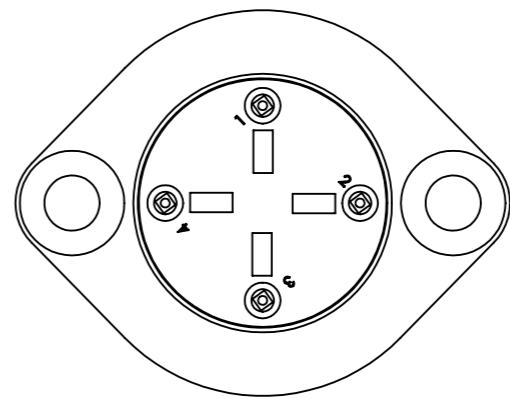
**FILTER 10PIN ASSY**



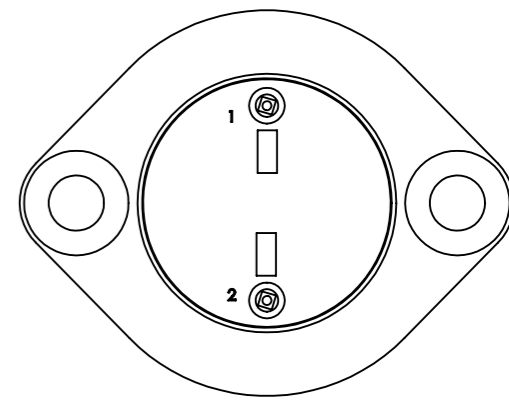
**FILTER 8PIN ASSY**



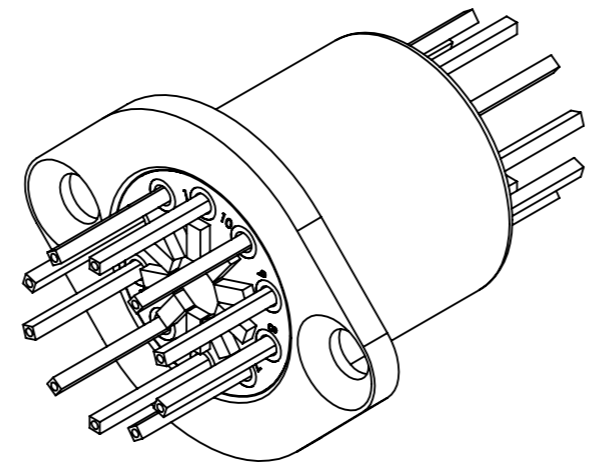
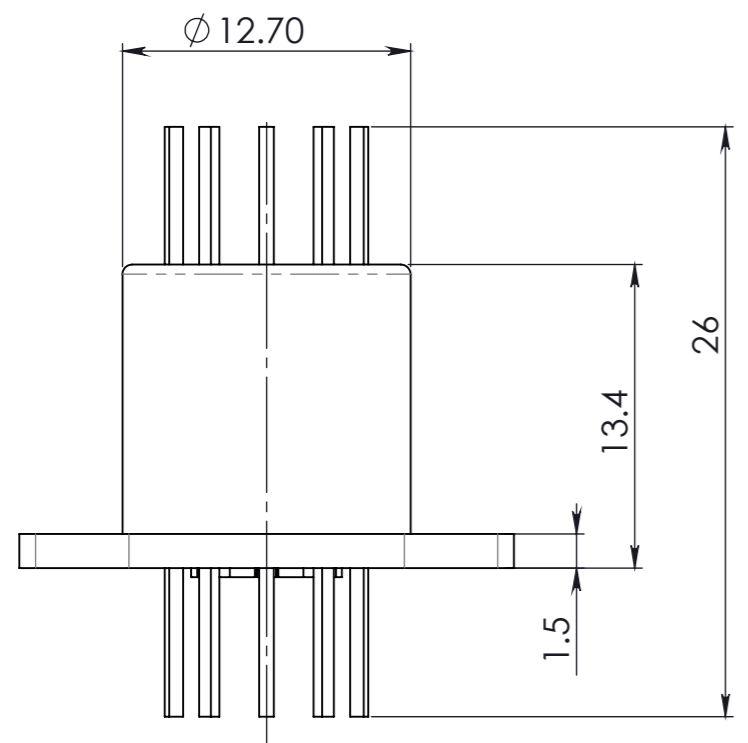
**FILTER 6PIN ASSY**



**FILTER 4PIN ASSY**



**FILTER 2PIN ASSY**



DESCRIPTION	P/N
FILTER 10PIN ASSY	IN08-SA-06
FILTER 8PIN ASSY	IN08-SA-07
FILTER 6PIN ASSY	IN08-SA-08
FILTER 4PIN ASSY	IN08-SA-09
FILTER 2PIN ASSY	IN08-SA-10

TOLERANCES UNLESS OTHERWISE STATED				MATERIAL:	FINISH:	MASS: 0.93
LINEAR ±	HOLES DIA +					
ANGULAR ±	MASH. SURF'S					
NAME	SIGNATURE	DATE	TITLE <b>FILTER 10PIN ASSY DATA SHEET</b>			
DRAWN ELENA			PROJECT			
DESN'D GREGORY			PART. NO. SEE TABLE			
CHK'D			VERSION			
APPV'D			DWG NO. <b>IN08-DS-06-A</b>		REV. A	SHEET 1/1
THIS DOCUMENT CONTAINS PROPRIETARY INFORMATION AND SHALL NOT BE PUBLISHED OR USED FOR ANY PURPOSE WITHOUT THE PRIOR WRITTEN PERMISSION OF INTALTECH Ltd. DO NOT MANUALLY UPDATE. DO NOT SCALE DRAWING.			Engineering Development & Consulting		SIZE A3	FIRST ANGLE PROJECTION