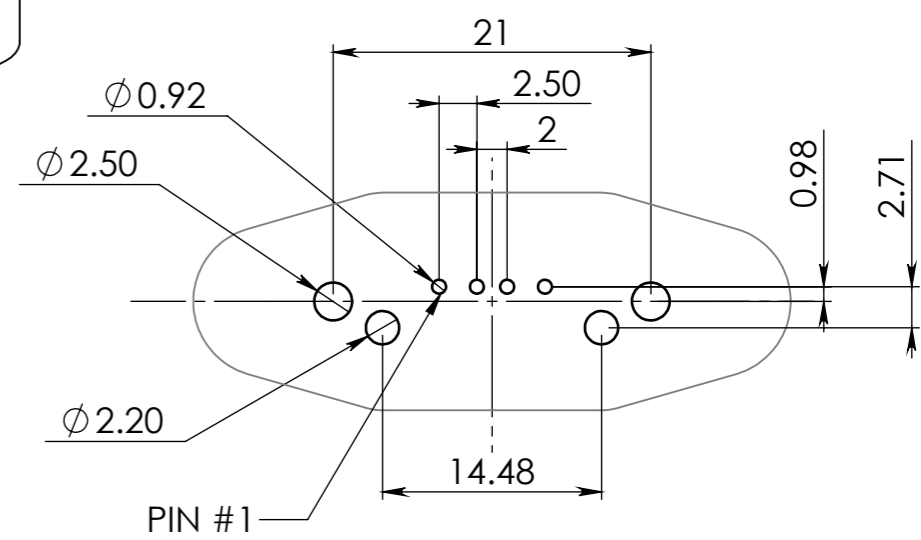
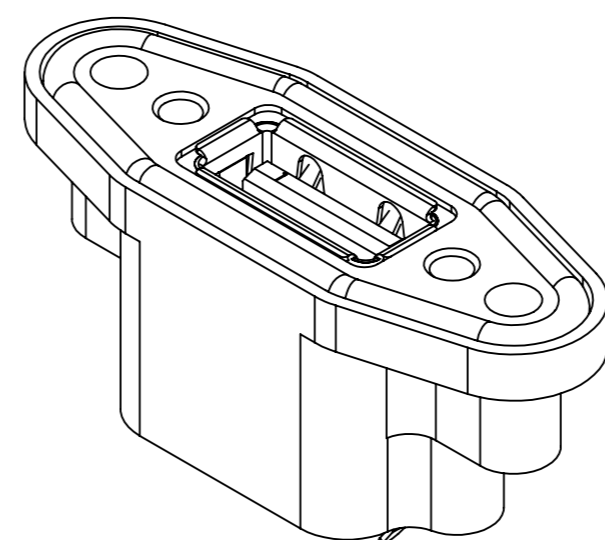
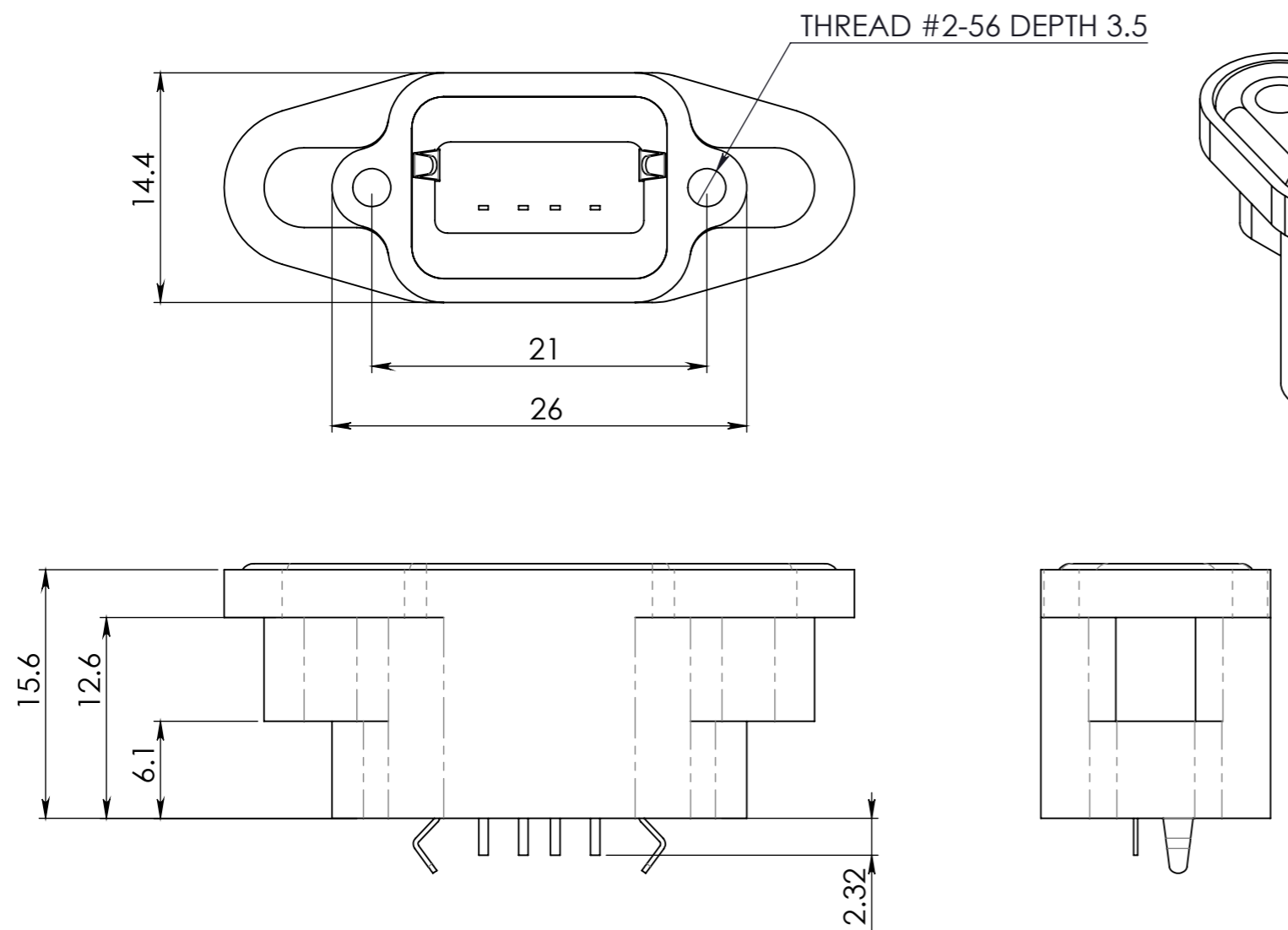
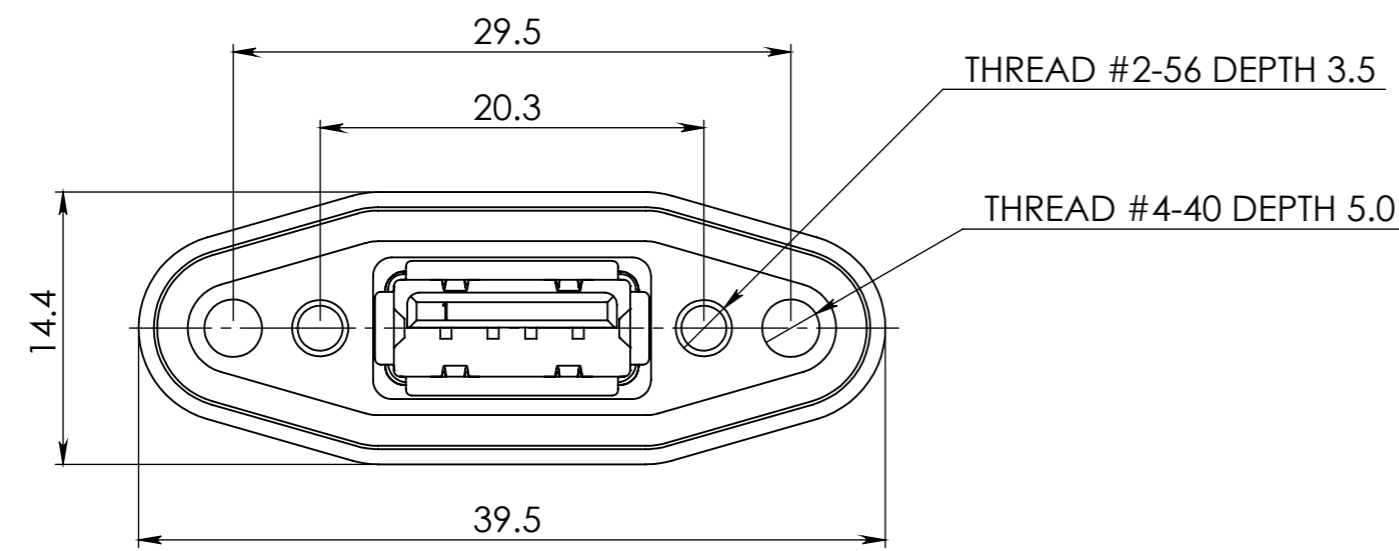


P:\Projects\Projects in R&D Status\InTal Tech\IN09 Backshell for Micro D-Type\0 IN09 Backshell for Micro D-Type\IN09-DS-28-03 21/05/2012


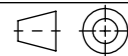
ZONE	REV.	DESCRIPTION	DATE	APPROVED
	03	PRODUCTION	21/02/2012	IGOR



PCB LAYOUT (TOP VIEW)



1. MATERIAL :
OUTER SHELL-ALUMINUM, COATING-CHROMAT PASSIVATION.
2. CONTACT : COOPER ALLOY, PLATING : SELECTIVE GOLD PLATED
3. INSULATOR : HIGH TEMP. PLASTIC (UL94V-0)
4. CURRENT RATING : 1.0AAC/DC
5. VOLTAGE RATING : 30V AC/DC
6. CONTACT RESISTANCE : 20 m OHM. MAX.
7. OPERATING TEMPERATURE RANGE : -40°C TO +105°C
8. GASKET- SILKONE RUBBER , RED

TOLERANCES UNLESS OTHERWISE STATED				MATERIAL:	FINISH:				
LINEAR	±	HOLES DIA	+						
ANGULAR	±	MASH. SURF'S							
NAME	SIGNATURE	DATE	TITLE						
DRAWN	ELENA		RUGGED USB A PCB MOUNT DATA SHEET						
DES'N'D	IGOR								
CHK'D									
APP'V'D									
THIS DOCUMENT CONTAINS PROPRIETARY INFORMATION AND SHALL NOT BE PUBLISHED OR USED FOR ANY PURPOSE WITHOUT THE PRIOR WRITTEN PERMISSION OF INTALTECH Ltd. DO NOT MANUALLY UPDATE. DO NOT SCALE DRAWING.				PART. NO. IN09-SA-28		VERSION			
						DWG NO. IN09-DS-28-03		REV. 03	SHEET 1/1
				SIZE A3	FIRST ANGLE PROJECTION			DIM UNIT MM	SCALE 2:1
				CONTACT INFO: Tel: +972(0)8-9400002; Fax: 972(0)3-7256610 Mobile: +972(0)50-6511606; E-mail: office@intaltech.com					