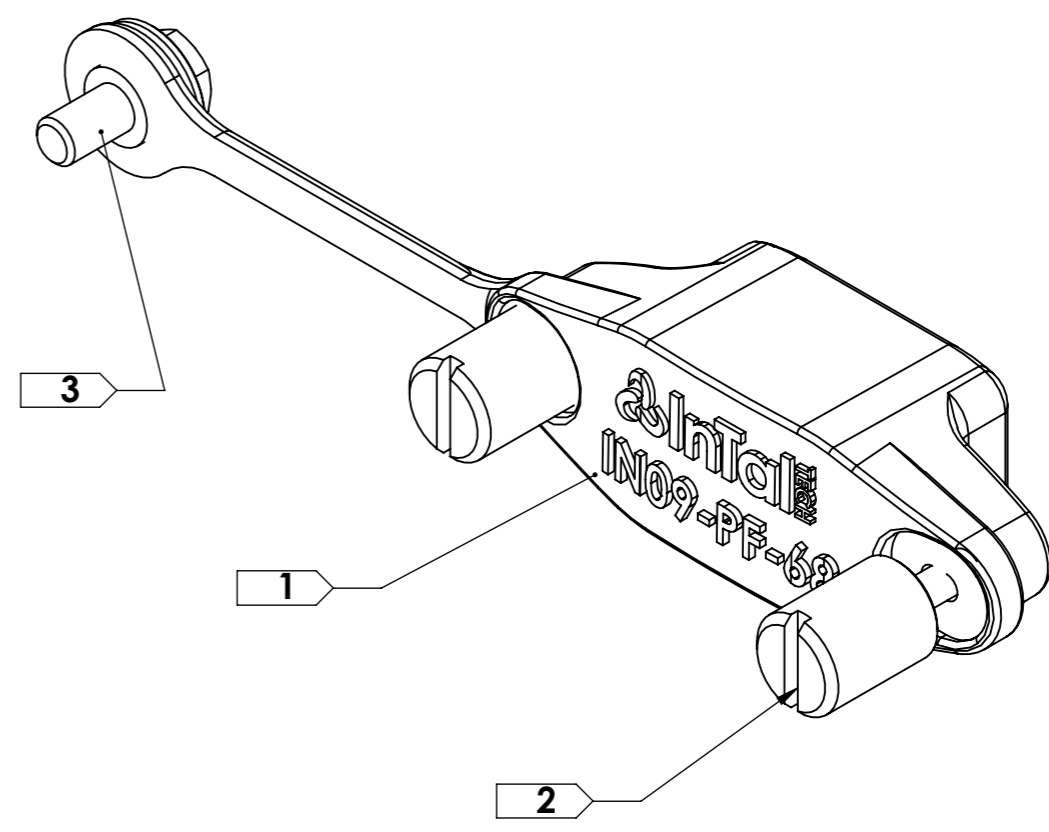
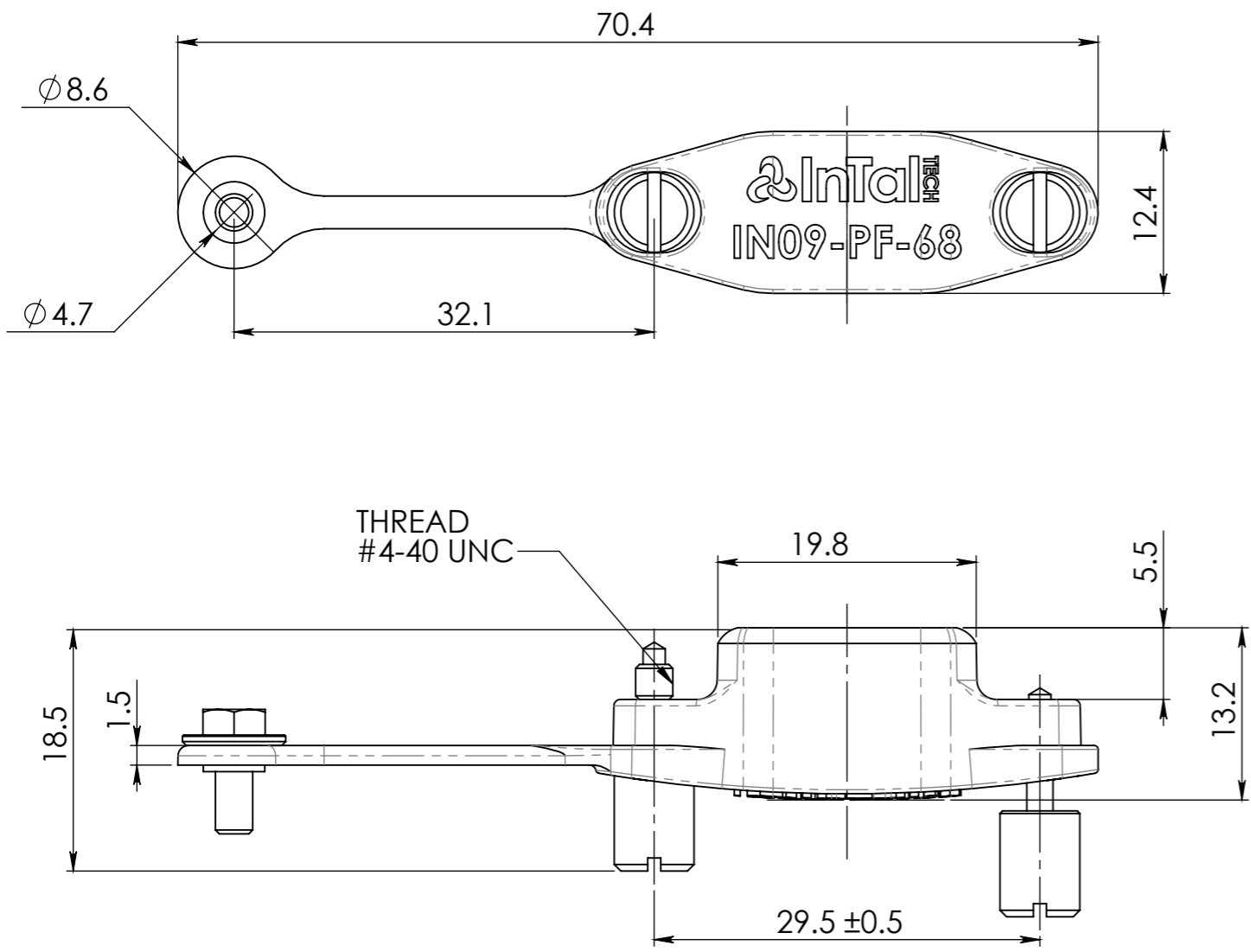


P:\Projects\Projects in R&D Status\InTal Tech\IN09 Backshell for Micro D-Type\0 IN09\IN09-DS-21-B 27/09/2011

ZONE	REV.	DESCRIPTION	DATE	APPROVED
	A	RELEASED	4/11/2010	IGOR
	B	CHANGED DESCRIPTION, ADD SCREW	26/09/2011	IGOR



- MATERIAL:**
1. USB A PROTECTIVE COVER - BLACK SILICONE.
 2. FASTENING - #4-40 UNC CAPTIVE SCREW ,ST.ST.,BLACK ZINC.
 3. SPACER - #4-40 UNC CAPTIVE SCREW ,ST.ST.,BLACK ZINC.

TOLERANCES UNLESS OTHERWISE STATED				MATERIAL:		FINISH:			
LINEAR	±	HOLES DIA	+						
ANGULAR	±	MASH. SURF'S							
NAME	SIGNATURE	DATE	TITLE						
DRAWN	ELENA		USB A PROTECTIVE COVER DATA SHEET						
DES'N'D	GREGORY		PROJECT						
CHK'D			PART. NO. IN09-KT-21						
APP'V'D			DWG NO. IN09-DS-21-B		REV. B	VERSION SHEET 1/1			
THIS DOCUMENT CONTAINS PROPRIETARY INFORMATION AND SHALL NOT BE PUBLISHED OR USED FOR ANY PURPOSE WITHOUT THE PRIOR WRITTEN PERMISSION OF INTALTECH Ltd. DO NOT MANUALLY UPDATE. DO NOT SCALE DRAWING.			 Engineering Development & Consulting		SIZE A3	FIRST ANGLE PROJECTION		DIM UNIT MM	SCALE 2:1
					CONTACT INFO: Tel: +972(0)8-9400002; Fax:972(0)3-7256610 Mobile: +972(0)50-6511606 ; E-mail: office@intaltech.com				