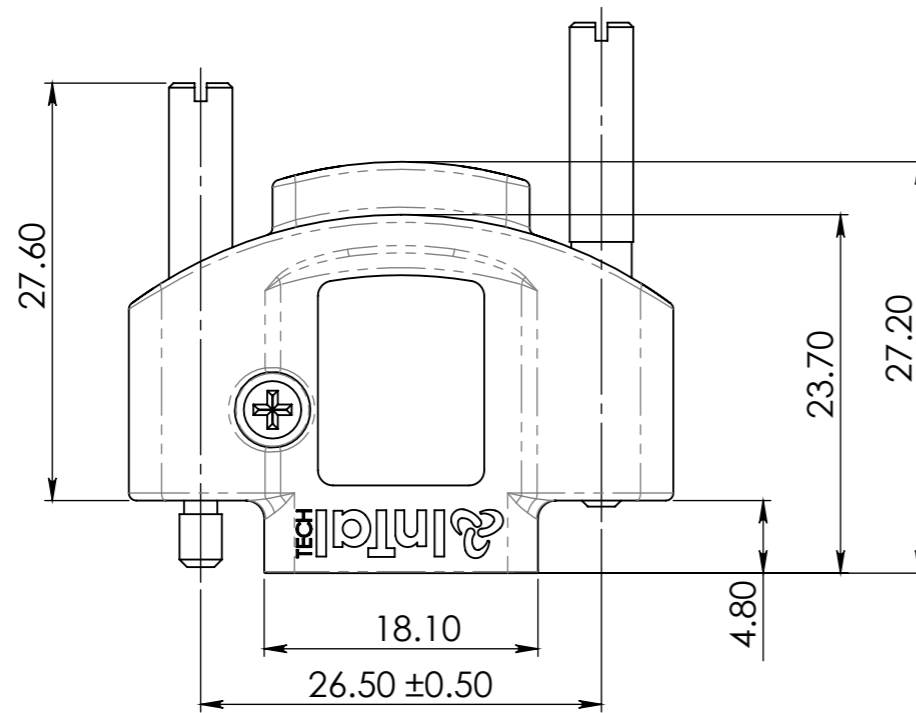
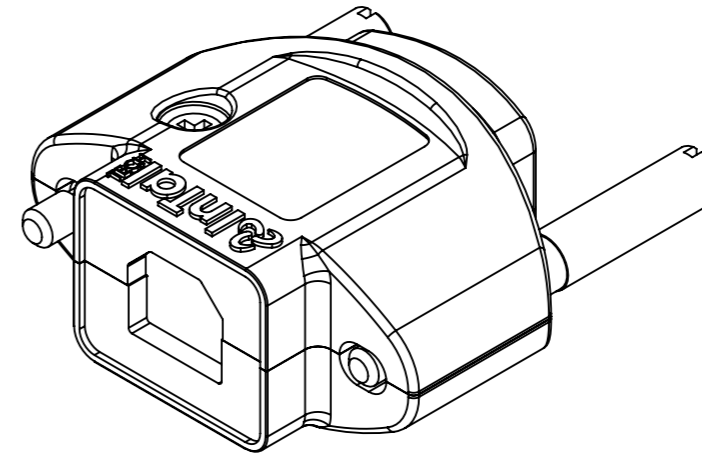
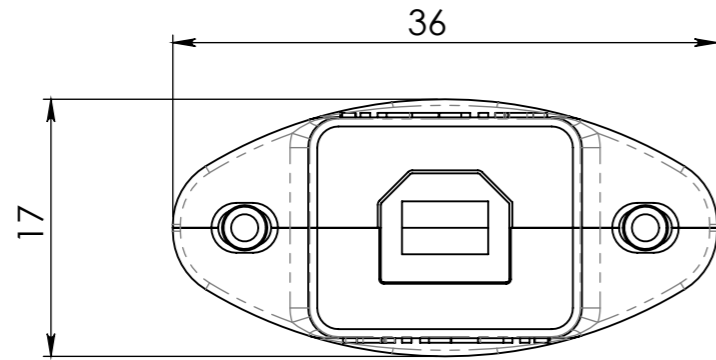


P:\Projects\Projects in R&D Status\InTal Tech\IN09 Backshell for Micro D-Type\0 IN09 Backshell for Micro D-Type\0 IN09-DS-19-A 8/12/2010

1	2	3	4	5	6	7	8
ZONE	REV.	DESCRIPTION		DATE	APPROVED		
	A	PRERELEASE		21/07/2010	IGOR		



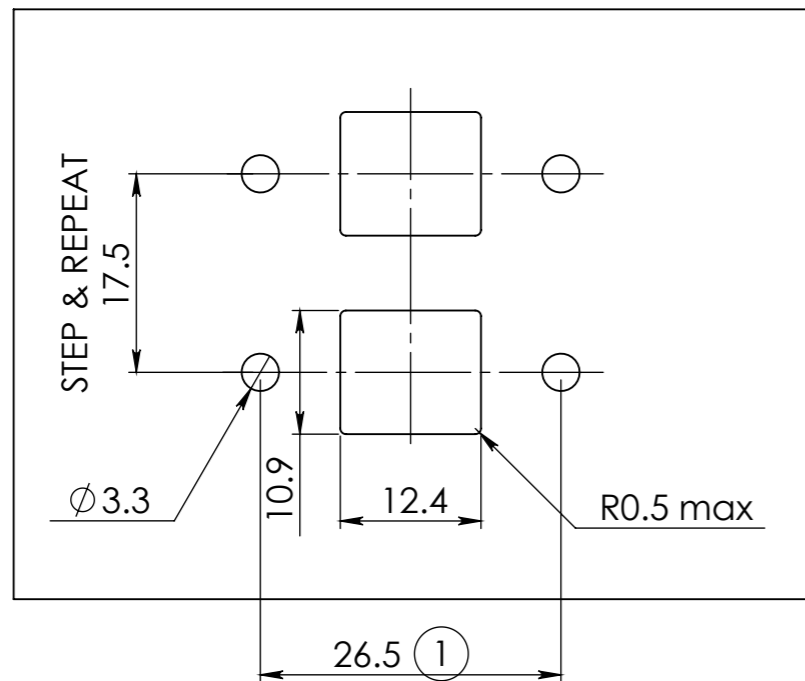
DRAFT

- NOTE:
- FOR P/N DESCRIPTION OF USB B FEM CONNECTOR PLEASE CONTACT InTaltech ENGINEERING/SALES DEPARTMENT
 - PLASTIC HOOD - BLACK POLYAMIDE PA6, UL94, V-0
 - FASTENING - #4-40UNC JACK SCREW - STAINLESS STEEL
 - SCREW FOR PLASTIC - STEEL, BLACK PASSIVATION

TOLERANCES UNLESS OTHERWISE STATED			MATERIAL:	FINISH:		
LINEAR ±	HOLES DIA +					
ANGULAR ±	MASH. SURF'S					
	NAME	SIGNATURE	DATE	TITLE		
DRAWN	GREGORY			KIT,USB B PLASTIC BACKSHELL		
DESN'D	GREGORY			PROJECT		
CHK'D				PART. NO. IN09-KT-19		
APPV'D				VERSION		
THIS DOCUMENT CONTAINS PROPRIETARY INFORMATION AND SHALL NOT BE PUBLISHED OR USED FOR ANY PURPOSE WITHOUT THE PRIOR WRITTEN PERMISSION OF INTALTECH Ltd. DO NOT MANUALLY UPDATE. DO NOT SCALE DRAWING.			Engineering Development & Consulting		DWG NO. IN09-DS-19-A	
					REV. A	SHEET 1/2
					SIZE A3	FIRST ANGLE PROJECTION

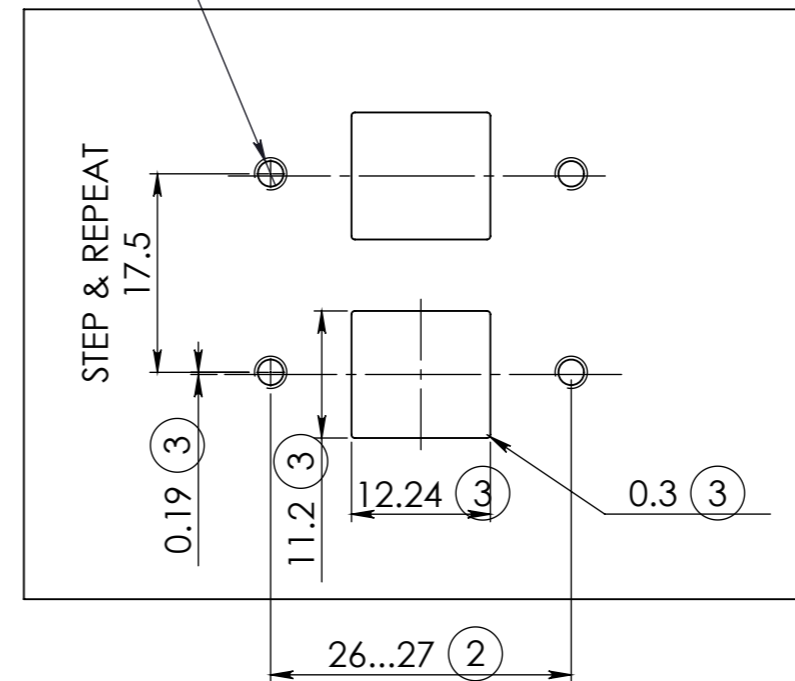
P:\Projects\Projects in R&D Status\InTal Tech\IN09 Backshell for Micro D-Type\IN09-DS-19-A 8/12/2010

CABLE MOUNTING PANEL CUTOUT

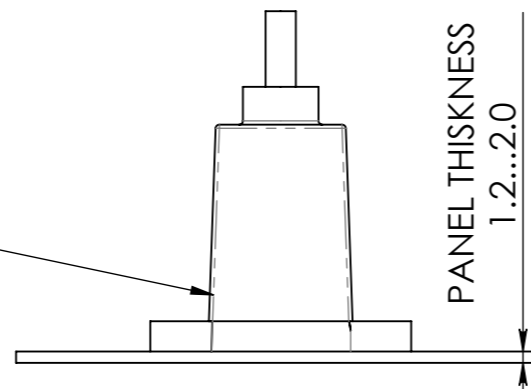


PCB MOUNTING PANEL CUTOUT

4 x
THREAD #4-40 UNC

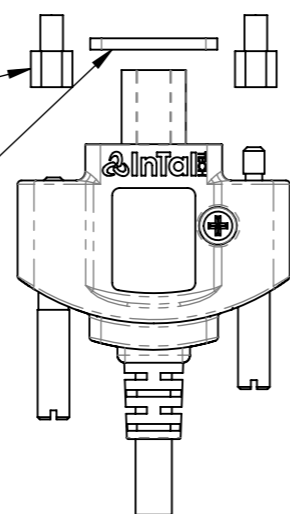


USB B FEM CONNECTOR
W CABLE
P/N: SEE NOTE
TO BE ORDERED
SEPARATELY



SPACER
MALE-FEMALE #4-40x3/16
P/N: HSO0404HH0
TO BE ORDERED
SEPARATELY QTY.x 2

ENVIROMENTAL GASKET
P/N: IN09-PF-63
TO BE ORDERED
SEPARATELY



- ① - ACCORDING USB B FEM CONNECTOR
- ② - DIMENSION POSSIBLE FROM 26mm UP TO 27mm
- ③ - ACCORDING CONNECTOR P/N: USB-B-S-X-X-TH "SAMTEC"

THIS DOCUMENT CONTAINS PROPRIETARY INFORMATION AND SHALL NOT BE PUBLISHED OR USED FOR ANY PURPOSE WITHOUT THE PRIOR WRITTEN PERMISSION OF A&J. DO NOT MANUALLY UPDATE. DO NOT SCALE DRAWING.	 Engineering Development & Consulting	PART. NO. IN09-KT-19	VERSION	
		DWG NO. IN09-DS-19-A	REV. A	SHEET 2/2
		SIZE A3	FIRST ANGLE PROJECTION	DIM UNIT MM