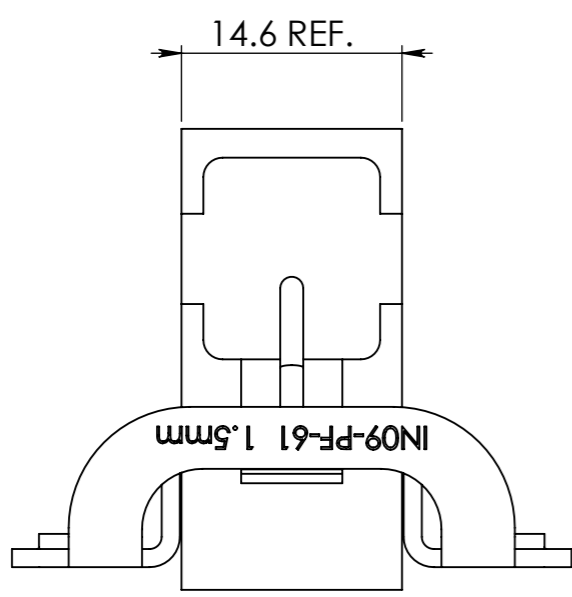
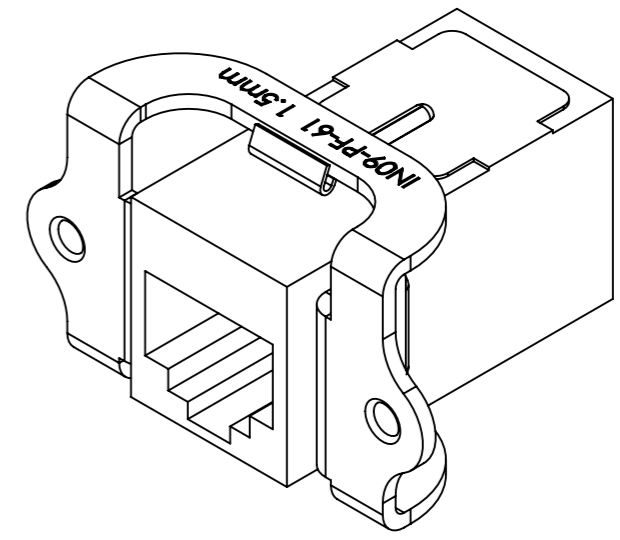
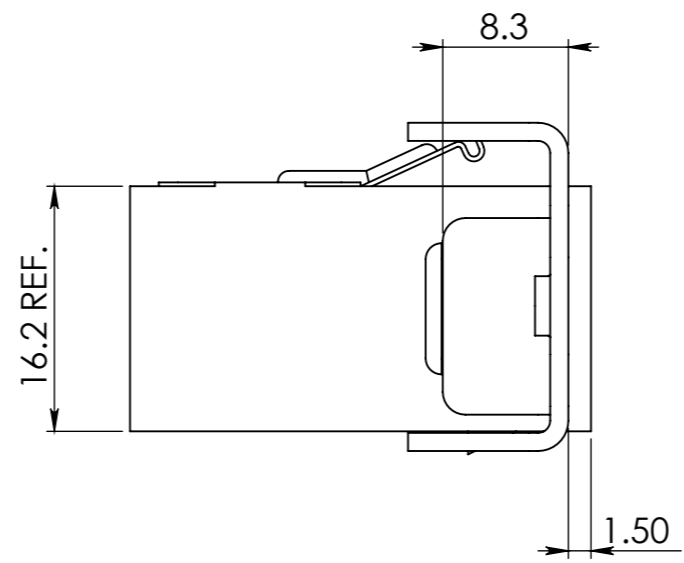
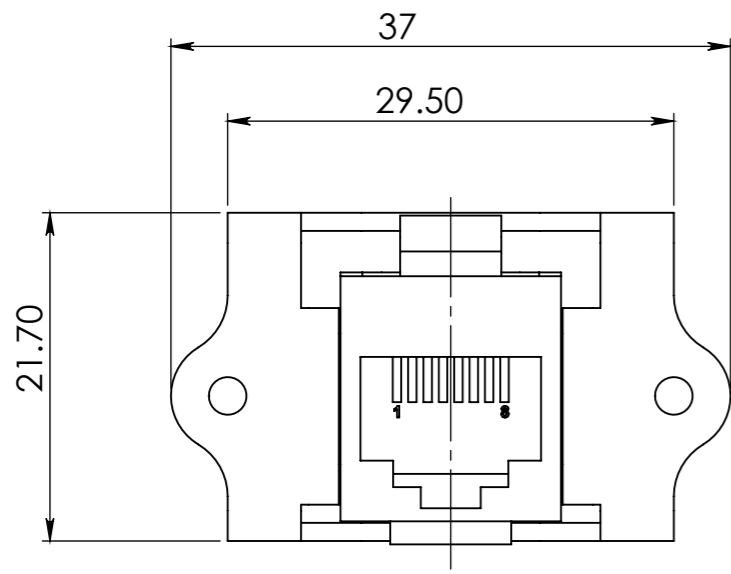


P:\Projects\Projects in R&D Status\InTal Tech\IN09 Backshell\IN09-DS-18-B 12/16/2010

ZONE	REV.	DESCRIPTION	DATE	APPROVED
	B	RELEASED	12/08/2010	IGOR

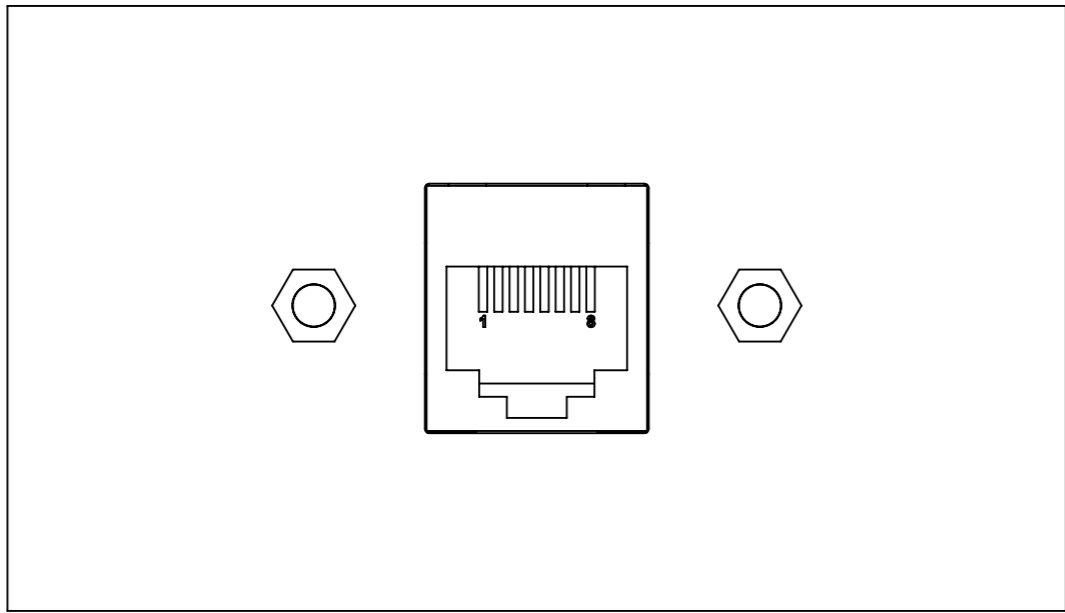


NOTES:

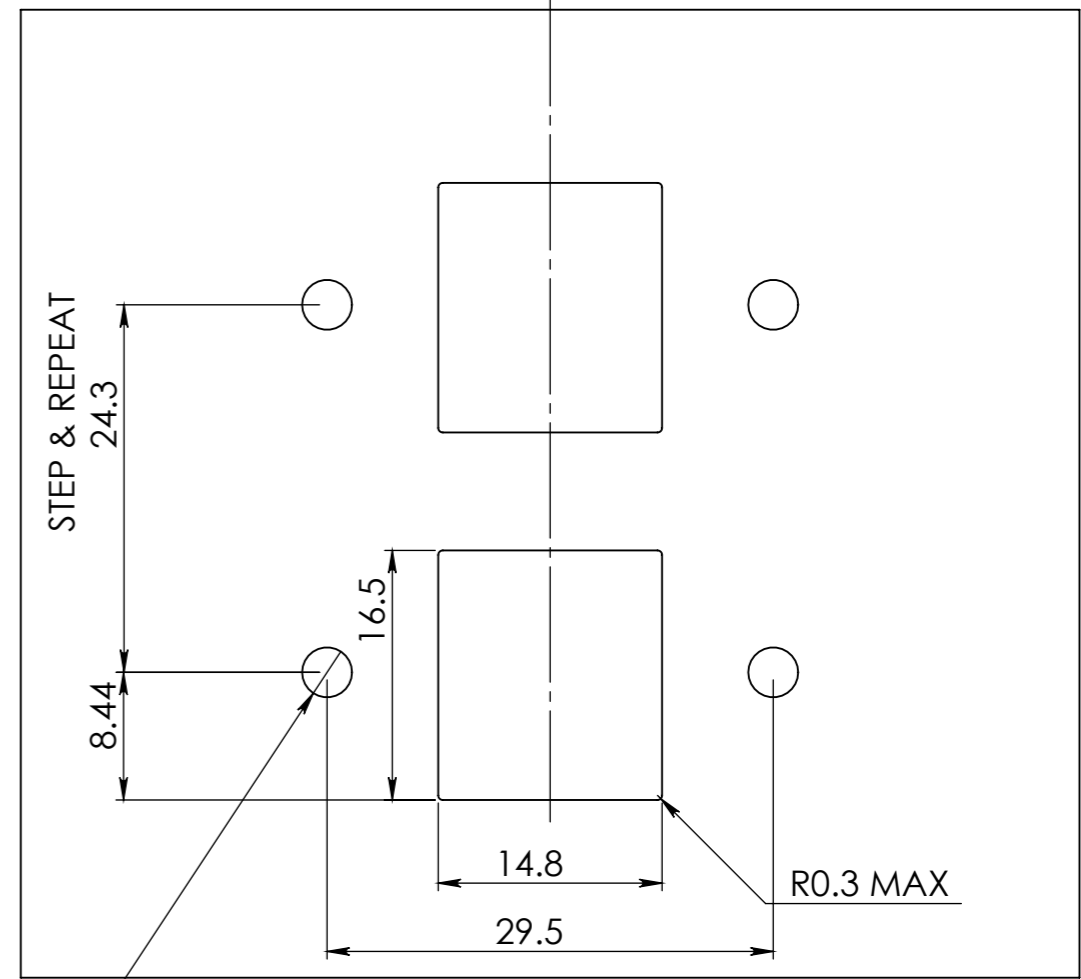
- 1. MATERIAL- PANEL BRACKET: STAINLESS STEEL.

TOLERANCES UNLESS OTHERWISE STATED			MATERIAL:	FINISH:			
LINEAR ±	HOLES DIA +						
ANGULAR ±	MASH. SURF'S						
	NAME	SIGNATURE	DATE	TITLE			
DRAWN	ELENA			KIT,RJ45 1.5mm PANEL HORIZONTAL DATA SHEET			
DESN'D	GREGORY						
CHK'D				PROJECT			
APPV'D				PART. NO. IN09-KT-18			
THIS DOCUMENT CONTAINS PROPRIETARY INFORMATION AND SHALL NOT BE PUBLISHED OR USED FOR ANY PURPOSE WITHOUT THE PRIOR WRITTEN PERMISSION OF INTALTECH Ltd. DO NOT MANUALLY UPDATE. DO NOT SCALE DRAWING.			Engineering Development & Consulting		VERSION		
					DWG NO.	REV.	SHEET
					IN09-DS-18-B	B	1/2
SIZE	FIRST ANGLE PROJECTION			DIM UNIT	SCALE		
A3				MM	1.5:1		

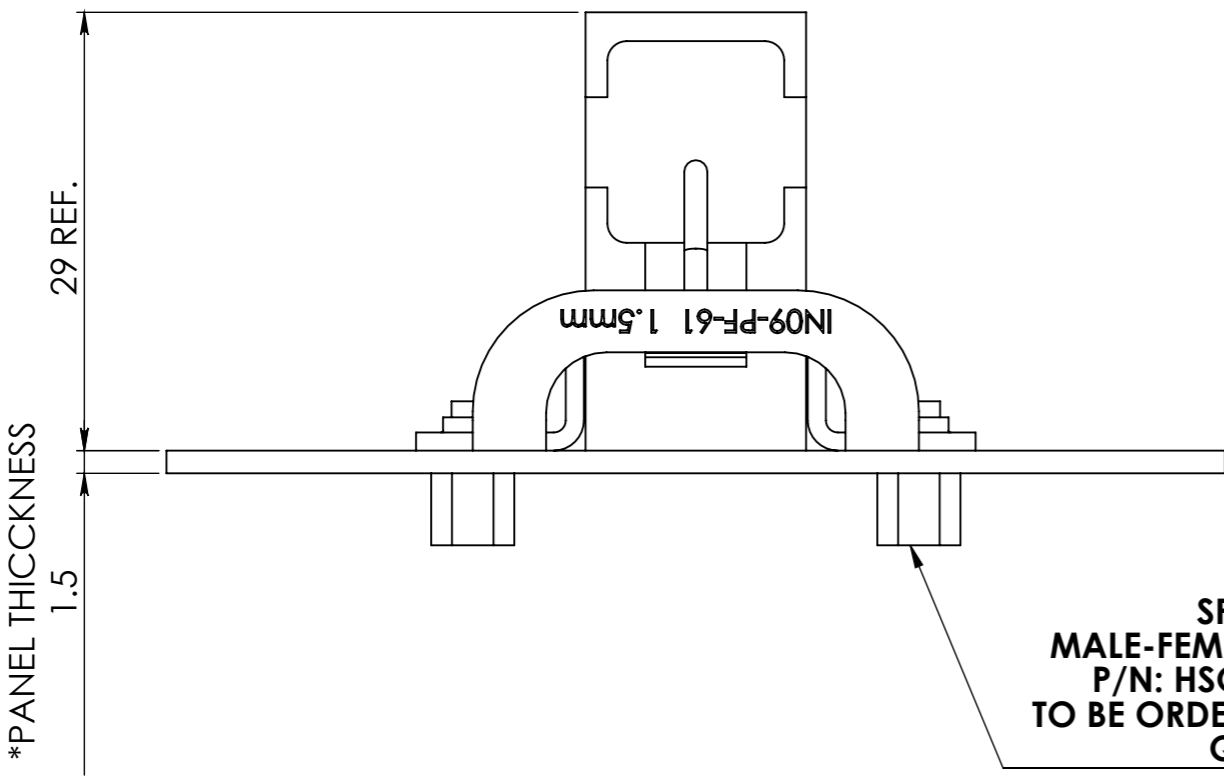
P:\Projects\Projects in R&D Status\InTal Tech\IN09 Backshell for Micro D-Type\IN09-DS-18-B 12/16/2010



PANEL CUTOUT



$\varnothing 2.90^{+0.10}_0$



**SPACER
MALE-FEMALE #4-40x3/16
P/N: HSO0404HH0
TO BE ORDERED SEPARATELY
QTY.x 2**

* FOR OTHER PANEL THICKNESS PLEASE CONTACT
e-mail: office@intaltech.com
tel: +972(0)8-9400002
fax: +972(0)3-7256610

THIS DOCUMENT CONTAINS PROPRIETARY INFORMATION AND SHALL NOT BE PUBLISHED OR USED FOR ANY PURPOSE WITHOUT THE PRIOR WRITTEN PERMISSION OF A&J. DO NOT MANUALLY UPDATE. DO NOT SCALE DRAWING.	 Engineering Development & Consulting	PART. NO. IN09-KT-18		VERSION	
		DWG. NO. IN09-DS-18-B		REV. B	SHEET 2/2
		SIZE A3	FIRST ANGLE PROJECTION	DIM UNIT MM	SCALE 2:1