

THE COMPATIBLE FAN FASTENING

Plug pegs to pull through the holes



Mounting latch to pull the corners over the fan flanges

At elastic and anti-vibration material (TPE) with fire resistance UL94-V-0 and RoHS complied.

Do you still screw, or do you plug already ?

Screws out, sleeves in, noise off.

In the elastic sleeves your fans fell all around well.

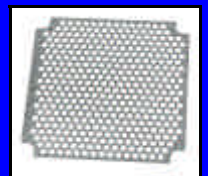
With the patented elastic sleeves you fasten axial fans without tool, screws less, quickly and safe with four plug pegs on a mounting plate or a housing wall. The plug fan sleeves are suitable ideally for the subsequent installation / re-tooling of existing devices, since the plug pegs can be pulled by the existing standard drillings in the housing wall. because she is compatible to the existing hole cut-out.

YOUR ADVANTAGES:

- Eliminate transmission of vibrations from the fan to the housing and reduced the noise (up to 9 db).
- Fast, simple and safe screw less mounting and re mounting from fans.
- Less mounting costs through shorter mounting times and not used screws.
- Protects the fan against vibrations and thus increased your life time.
- Sealing between suck and pressure chamber.
- No changes at the hole cut-out are necessary, compatible.

The sleeves are available for fans of 30 mm to 120 mm and fit on nearly all axial fans from different manufacturer.

Accessories



Filter guard - EMI-shield sheets



Finkenweg 10 a Fon +49 (0) 8093-9059-906
D-85625 Glonn Fax +49 (0) 8093-9059-907

Info@thoptec.de
www.thoptec.de

Material - Mounting - Accessories



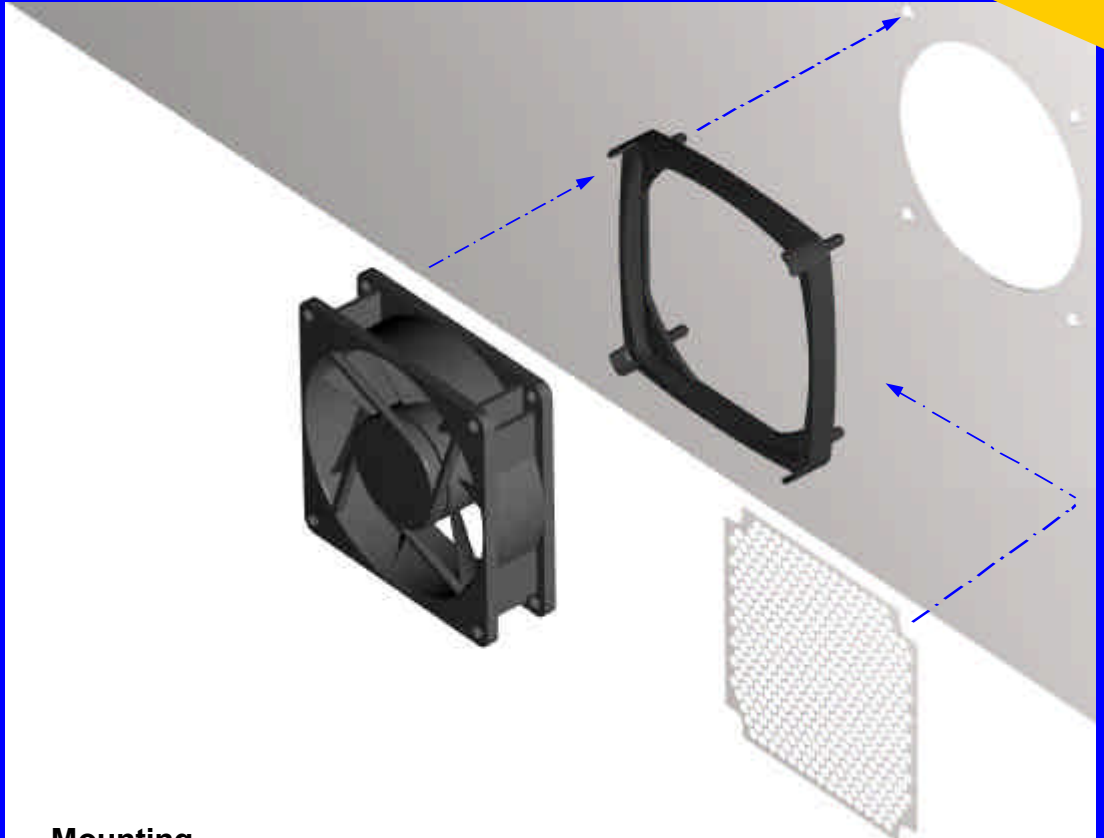
Material :

TPE
(Thermoplastic Elastomer)
RoHS complied

Colour :
black

Hardness :
ca. 65 - 70° Shore A

Fire resistance :
UL94-V-0



Mounting

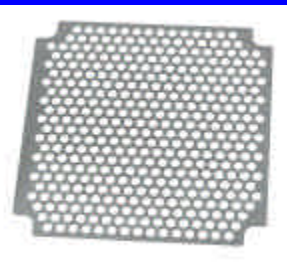
First pull the sleeves over the flange of the fan, then place the four plug pegs through the holes of the mounting plate and pull out from the back side.

Filter guard-EMI-shield sheets

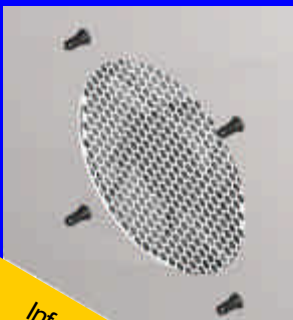
Optional can in combination with the plug fan sleeves a filter guard-EMI-shield sheet mounted.

Accessories

Building historical



Filter guard - EMI-shield sheets



Electronically device's are today present at the most sector's of our life. There noise production will be an problem more and more anywhere. That's why is an minimal noise one of the most important fact's at the selection to by new device's.

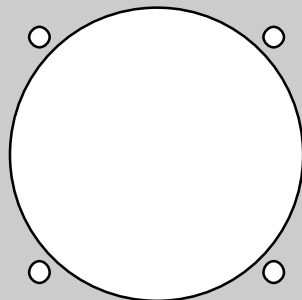
Noise producer number one are axial fans for electronics cooling, but in most time the fan is very silence and the noise is an product from the mounting between housing and fan, where the fan set the housing in vibrations and that's very disturbing.

To save the silence we developed from out of practice and with many tests an fan fastening, that's kill noise and make the mounting so easy as possible.

Some named company's use this fan sleeve at time.

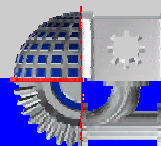
Question's pour building special solutions are welcome every time.

More information available at



Compatible to the Standard hole cut-out in the mounting plate or housing wall.

Finkenweg 10 a Fon +49 (0) 8093-9059-906
D-85625 Glonn Fax +49 (0) 8093-9059-907



THOPTEC
ENTWICKLUNGS &
VERTRIEBS GMBH

Info@thoptec.de
www.thoptec.de