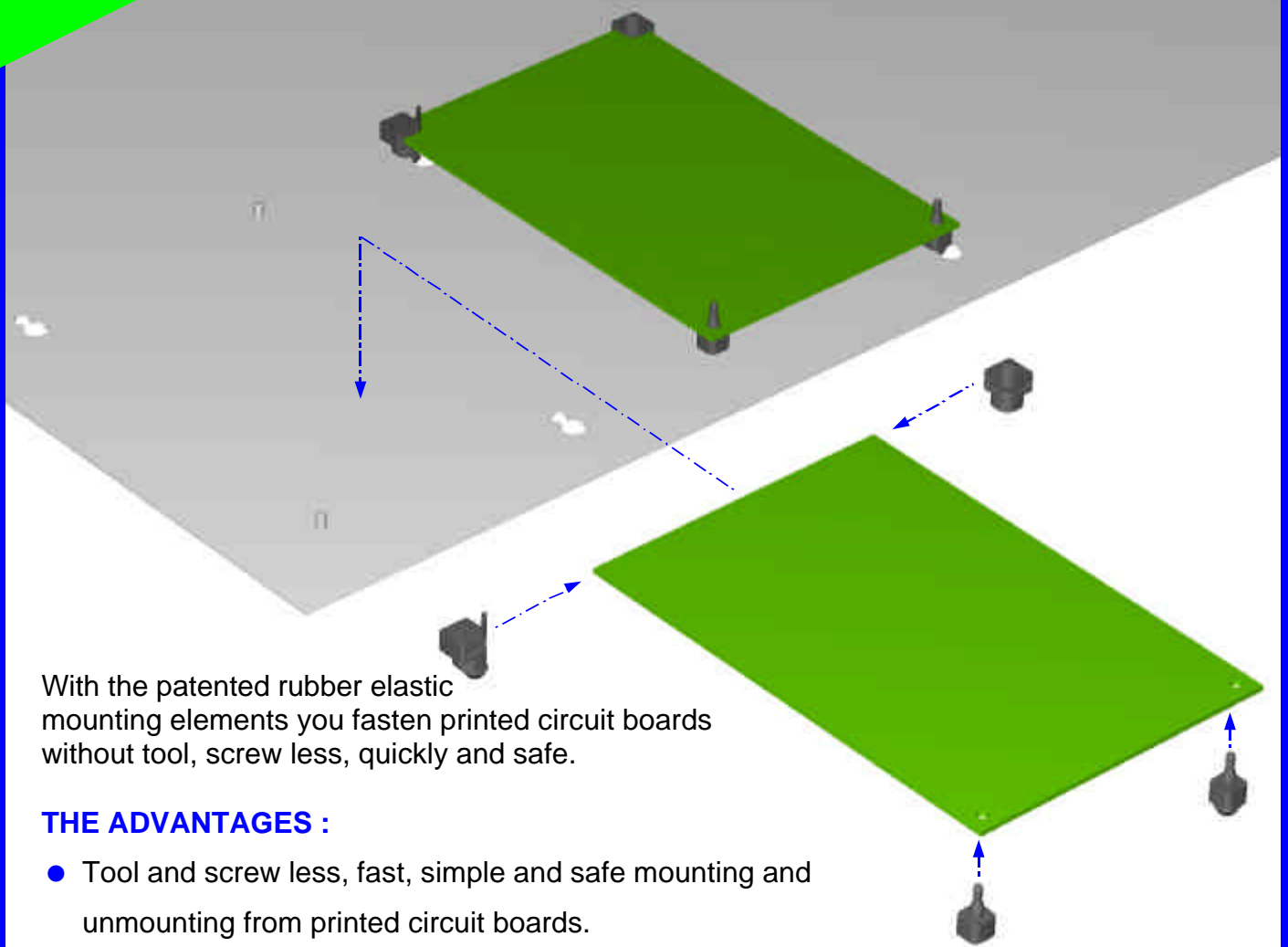


The **ALTERNATIVE** printed circuit board mounting



With the patented rubber elastic mounting elements you fasten printed circuit boards without tool, screw less, quickly and safe.

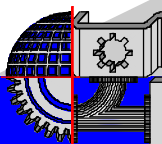
THE ADVANTAGES :

- Tool and screw less, fast, simple and safe mounting and unmounting from printed circuit boards.
- Less mounting costs through shorter mounting times and unnecessary not used screws.
- Protects the printed circuit board and his components against shocks and thus increased its life time.

Mounting latch to pull the elements over the corners from the printed circuit board.



The printed circuit board mounting elements are available in different distance dimensions for printed circuit boards with different thicknesses.



THOPTEC
Entwicklungs &
Vertriebs GmbH

Finkenweg 10 a Fon +049 (0) 8093-9059-906
D-85625 Glonn Fax +049 (0) 8093-9059-907

Info@thoptec.de
www.thoptec.de

Types - Material - Mounting

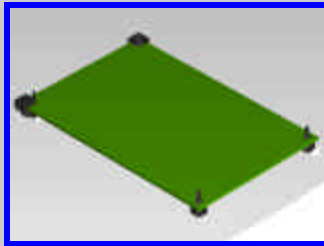
There are four different Types of printed circuit board mounting elements with different distance dimensions available.



Corner element with peg



Corner element with hole



Stick element with peg



Stick element with hole

Material & Properties

Material :	TPE (Thermoplastic elastomer) RoHS conform
Hardness :	ca. 70° Shore A
Colour :	black
Fire-resistance :	UL94-V-0

Mounting:

The corner elements are put offer the corner of the printed circuit board to be fasten.

The stick elements are put through holes of the printed circuit board to be fasten.

The mounting elements with stick pegs can by put through an easily chamfered hole in the mounting plate.

Or put through the larger hole of an eight formed hole and than push into the smaller hole.

The mounting elements with hole one puts simply on a 3,0 mm pin with or without threads, pressed into the mounting plate.

More information available at:

Finkenweg 10 a Fon +049 (0) 8093-9059-906
D-85625 Glonn Fax +049 (0) 8093-9059-907



Info@thoptec.de
www.thoptec.de