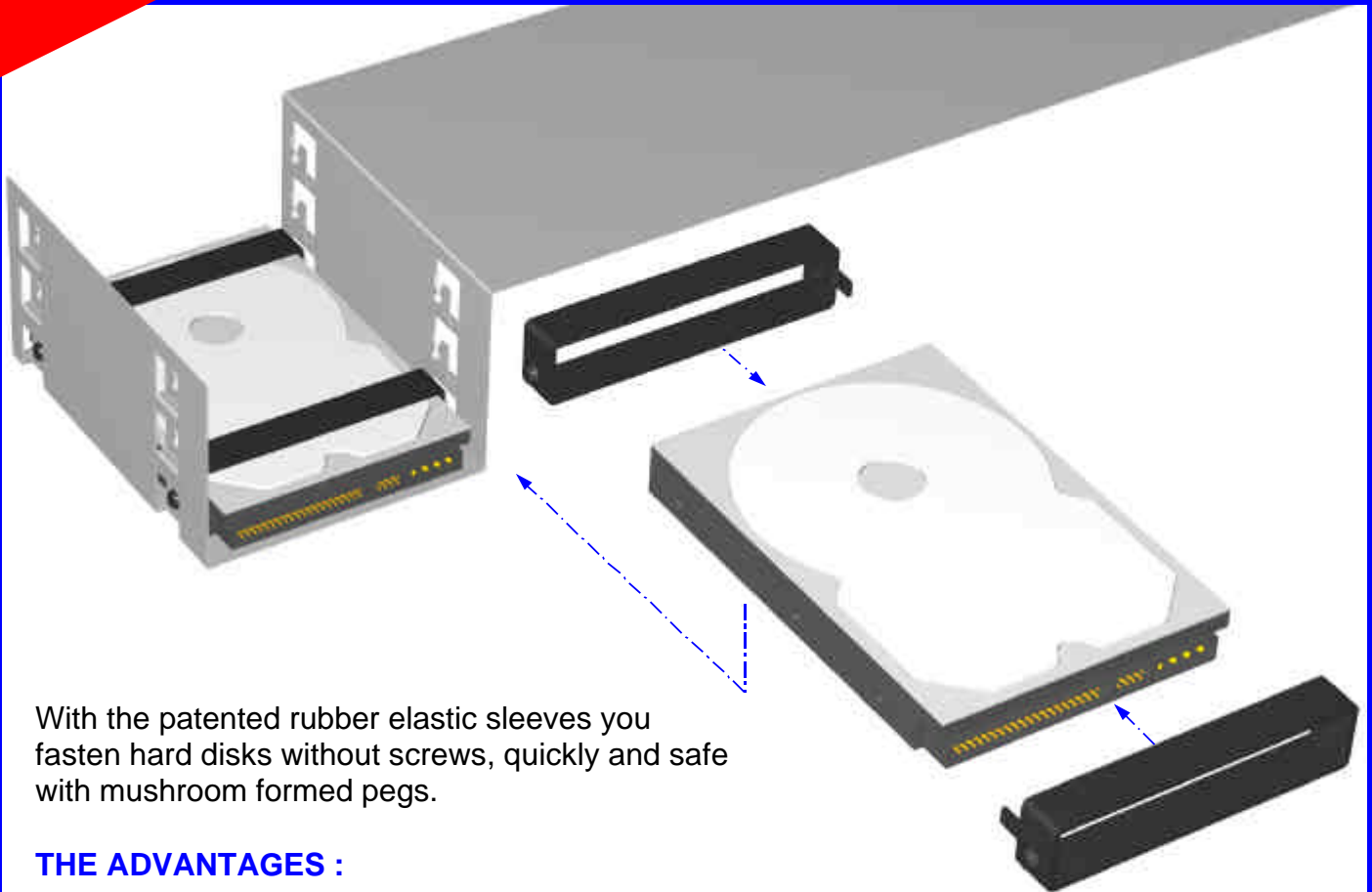


THE INNOVATIVE HARD DISK-FASTENING



With the patented rubber elastic sleeves you fasten hard disks without screws, quickly and safe with mushroom formed pegs.

THE ADVANTAGES :

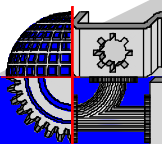
- Eliminate transmission of vibrations from the hard disk to the housing and reduced the noise.
- Fast, simple and safe screw less mounting and unmounting from hard disk's.
- Less mounting costs through shorter mounting times and unnecessary not used screws.
- Protects the hard disk against vibrations and thus increased its life time.

Mounting latch to pull the sleeve over the hard disk.



Rubber elastic and anti-vibration material (TPE) with fire resistance UL94-V-0

The HD-sleeves are available for 2,5" and 3,5" hard disk's.



THOPTEC
Entwicklungs &
Vertriebs GmbH

Finkenweg 10 a Fon +049 (0) 8093-9059-906
D-85625 Glonn Fax +049 (0) 8093-9059-907

Info@thoptec.de
www.thoptec.de



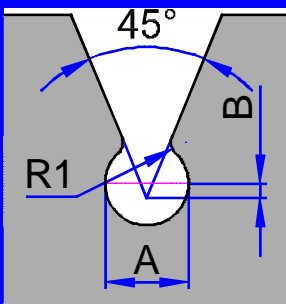
Material - Mounting - Accessories

Material : TPE (Thermoplastic elastomer)
RoHS conform

Hardness : ca. 70° Shore A

Colour : black

Fire-resistance : UL94-V-0



Mounting:

The housing or mounting frame must be accordingly manufactured to mount the hard disk with our sleeves.

Two sleeves are required for mounting of one hard disk.

Both sleeves are pulled over the hard disk until the two inner pins are placed into the side openings of the hard drive. Then push the mushroom formed pegs of the sleeves into the cone-shaped hole of the housing or the mounting frame until it engage.

Attention ! Over the size of the radius R1 and size B can be adjusted the resistance to mount and remount the hard disk with sleeves.

Accessories

Mounting frame Sets:

With the mounting frame set you can mount 2,5" or 3,5" hard disks vibration eliminated in standard 3,5" or 5,25" slots.

Fan-mounting frame Sets:

With the mounting frame set you can mount 2,5" or 3,5" hard disks vibration eliminated in standard 3,5" or 5,25" slots. In addition, the hard disk are cooled with the vibration reduced mounted fan.

Frame material:

1,0 mm zinced steel sheet (Zinkor)

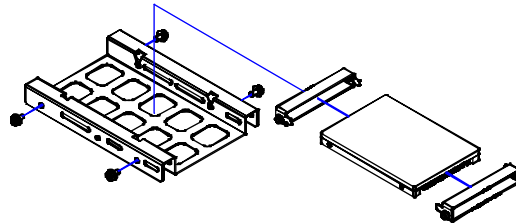
To connect 2,5" hard disk you need a customary adapter.



3,5" Mounting frame Set

Consisting of:

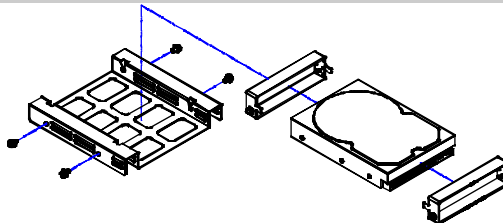
3,5" Mounting frame
2 x HD-Sleeve
4 x Screws UNC 6-32
(without hard disk)



5,25" Mounting frame Set

Consisting of:

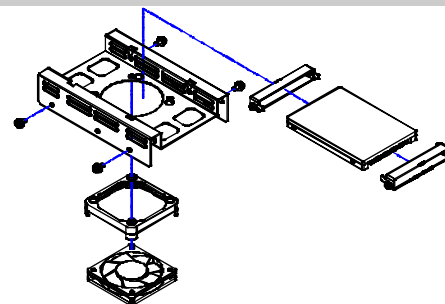
5,25" Mounting frame
2 x HD-Sleeves
4 x Screws UNC 6-32
(without hard disk)



3,5" Fan-Mounting frame Set

Consisting of:

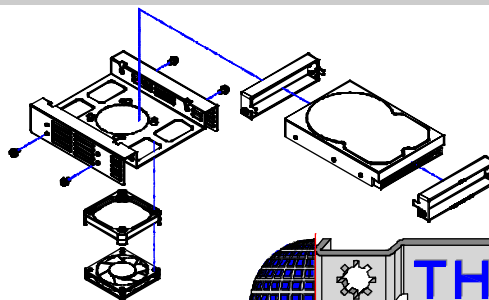
3,5" Mounting frame
2 x HD-Sleeves
1 x Fan sleeve
1 x DC12V Fan 60x10
4 x Screws UNC 6-32
(without hard disk)



5,25" Fan-Mounting frame Set

Consisting of:

5,25" Mounting frame
2 x HD-Sleeves
1 x Fan sleeve
1 x DC12V Fan 60x10
4 x Screws UNC 6-32
(without hard disk)



Info@thoptec.de
www.thoptec.de

Finkenweg 10 a Fon +049 (0) 8093-9059-906
D-85625 Glonn Fax +049 (0) 8093-9059-907

